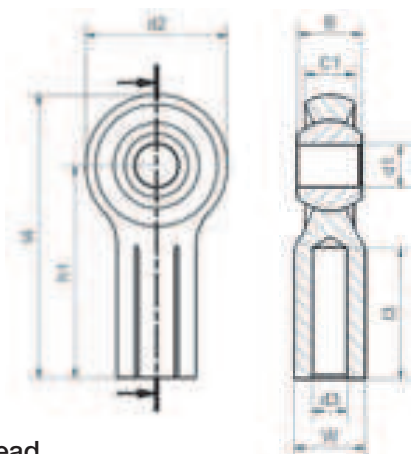


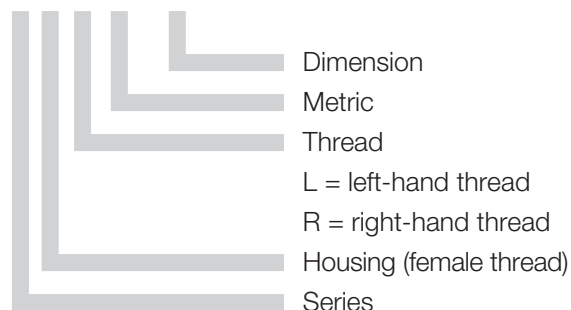
igubal® Rod Ends | Product Range

Rod ends with female thread: KCRM and KCLM



Order key

KC...M-06



Housing with female thread,
Standard spherical ball: iglidur® W300

- Smooth design has no dirt traps
- Spherical ball is clipped in
- Choice of iglidur® ball materials
- Compensation of misalignment
- Light weight
- Universal corrosion resistance
- Standard spherical bearing: iglidur® W300



Material:

Housing: **igumid G** ► page 983
Spherical ball: **variable** ► page 667

Technical Data

Part number		Max. static tensile strength		Max. static radial load		Max. torque strength	Max. torque through balls		Weight
Right-hand thread	Left-hand thread	Short term [N]	Long term [N]	Short term [N]	Long term [N]	Inner threading [Nm]	Standard with MH [Nm]	Standard with MH [Nm]	[g]
KCRM-06	KCLM-06	1,400	700	300	150	0.75	10	15	4.2
KCRM-08	KCLM-08	2,100	1,050	500	250	2	12	40	7.6
KCRM-10	KCLM-10	3,100	1,500	800	400	3	20	50	12,8

Dimensions [mm]

Part number		d1	d2	d3	W	B	C1	h1	I3	I4	Max. pivot angle
Right-hand thread	Left-hand thread										
KCRM-06	KCLM-06	6	20	M06	SW10	9.0	7	30	13.5	40	40°
KCRM-08	KCLM-08	8	24	M08	SW13	12.0	9	36	17	48	35°
KCRM-10	KCLM-10	10	30	M10	SW15	14.0	10.5	43	22	58	35°

For rod ends with **metal insert** please add **MH** to the part number, e.g. KCRM-10 **MH** (Inner-Ø: 10 mm).



delivery available
time from stock



prices price list online
www.igus.eu/eu/kcrm



order Part number
example KCRM-06