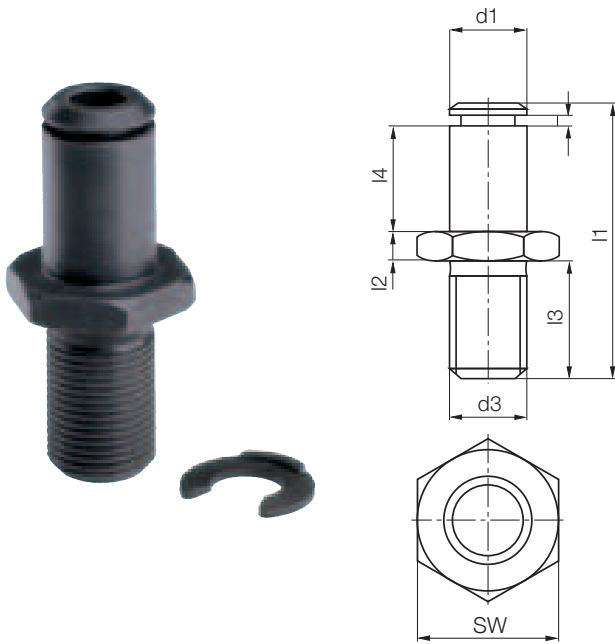
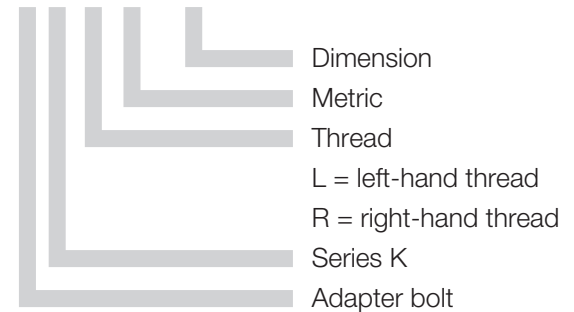


## Adapter bolt: PKRM and PKLM



### Order key

## PK...M-06



### Material:

POM ► page 984

Solid polymer bolts with a hexagonal head are an accessory to the series K rod ends. The plain shank fits into the inside diameter of the spherical ball and is secured by a circlip. The igubal® adapter bolts consist of highly shock-resistant, long-fibre reinforced polymer **POM**.

- Lightweight
- Excellent corrosion resistance
- Designed for use with K series rod ends
- High strength under impact loads
- Vibration-dampening
- Easy to fit
- Available in left- and right-hand threads

## Technical Data and Dimensions [mm]

Part number		Max. static tensile strength		Max. static radial load		d1	d3	l1	l4	l3	l2	SW	Weight
Right-h. thread	Left-h. thread	Short term	Long term	Short term	Long term	h11	Connection Thread	Total length	Length adjusting bolt	Thread length	Nut width	Width across flats	[g]
PKRM-05	PKLM-05	100	50	200	100	5	M05	25.0	8.5	11.3	2.7	8	0.7
PKRM-06	PKLM-06	150	75	250	125	6	M06	28.0	9.5	12.8	3.2	10	1.2
PKRM-08	PKLM-08	250	125	400	200	8	M08	32.0	12.5	12.5	4.0	13	2.6
PKRM-10	PKLM-10	500	250	600	300	10	M10	37.5	14.5	14.5	5.0	16	4
PKRM-12	PKLM-12	700	350	900	450	12	M12M	42.0	16.5	15.5	6.0	18	7.5
PKRM-14	PKLM-14	800	400	1,100	550	14	14M	47.0	19.5	15.5	7.0	21	11.4
PKRM-16	PKLM-16	900	450	1,400	700	16	16M	52.0	22.0	16.5	8.0	24	16.9
PKRM-18	PKLM-18	800	400	1,700	850	18	M18 x 1.5	59.0	24.0	20.5	9.0	27	16.9
PKRM-20	PKLM-20	500	250	2,200	1,100	20	M20 x 1.5	67.0	26.0	25.0	10.0	30	34.4



delivery available  
time from stock



prices price list online  
www.igus.eu/eu/pkrm



order Part number  
example PKRM-06