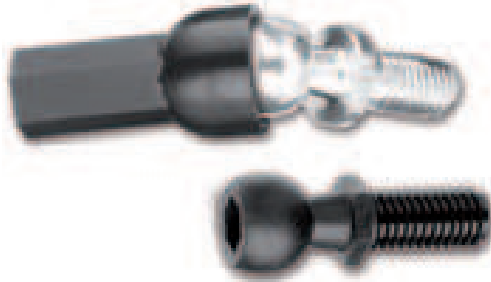
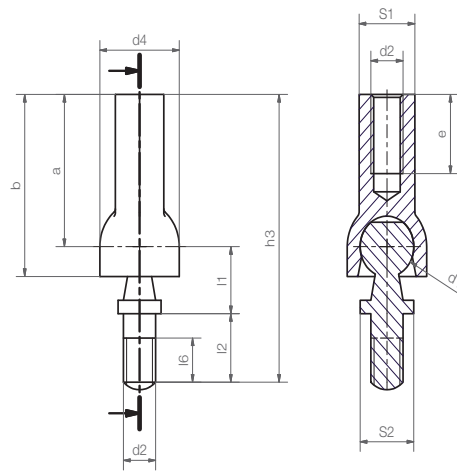


Axial joint: AGRM LC and AGLM LC

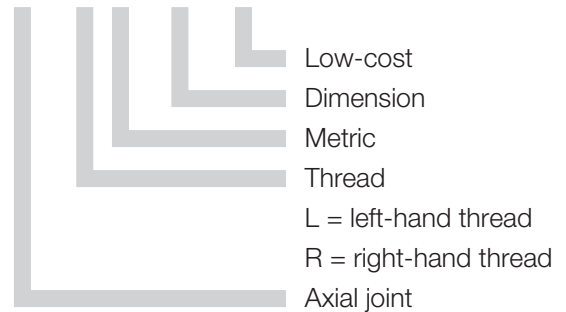


Dimensions as AGRM



Order key

AG...M-06 LC



Material:

Housing: igumid G ► page 983

- LC (low-cost) version is a two piece assembly with either a plastic or metal stud
- Low weight
- Maintenance-free
- Plastic stud for lowest price, metal stud for highest load

Technical Data

Part number		Max. static axial tensile force		Max. static axial compressive force		Weight [g]
		Short term [N]	Long term [N]	Short term [N]	Long term [N]	
Right-hand thread	Left-hand thread					
AGRM-06 LC	AGLM-06 LC	100	50	2,000	1,000	10.8

* MS = metal stud; e.g.: AGRM-06 LC MS

Dimensions [mm]

Part number		d1	d2	d4	l1	l2	l6	h3	S1	S2	a	b	e
Right-hand thread	Left-hand thread	+0.1	+0.5	+0.2	+0.3			+0.5			+0.3	+0.5	
		-0.1	-0.5	-0.2	-0.3	Min.		-0.5			-0.3	-0.5	Min.
AGRM-06 LC	AGLM-06 LC	10.0	M6	14.8	11.0	11.25	7.25	47.25	SW9	10.0	25.0	29.9	13.0



delivery available from stock



prices price list online
www.igus.eu/eu/agrm-lc



order Part number
example AGRM-06 LC