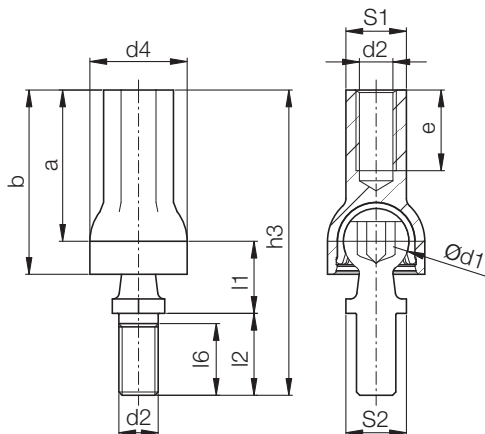
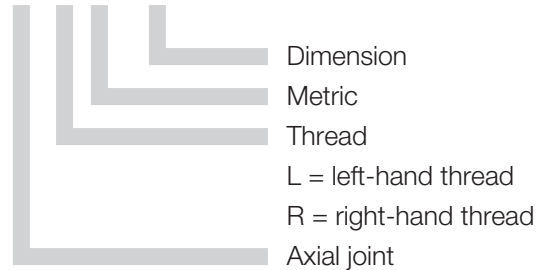


Axial joint: AGRM and AGLM



Order key

AG...M-08



- For all mechanical combinations
- Very easy hand assembly
- Maintenance-free and predictable
- Corrosion-resistant
- Chemical-resistant
- Good vibration-dampening qualities



Material:

Housing: **igumid G** ► page 983

Spherical cap: **iglidur® W300** ► page 131

Technical data

Part number		Max. static axial tensile force		Max. static axial compressive force		Max. assembling force	Weight
		Short term	Long term	Short term	Long term		
Right-hand thread	Left-hand thread	[N]	[N]	[N]	[N]	[N]	[g]
AGRM-08	AGLM-08	250	125	1,000	500	110	7.8

Dimensions [mm]

Part number		d1	d2	d4	l1	l2	l6	h3	S1	S2	a	b	e	Pivot angle	
		+0.1		+0.5	+0.2	+0.3		+0.5			+0.3	+0.5			
Right-hand thread	Left-hand thread	-0.1		-0.5	-0.2	-0.3	Min.	-0.5			-0.3	-0.5	Min.	Recom.	Max.
AGRM-08	AGLM-08	13.0	M8	19.3	13.0	16.5	13.5	59.0	SW12	SW11	29.5	36.5	16.0	18°	25°



delivery available
time from stock



prices price list online
www.igus.eu/eu/agrm



order Part number
example AGRM-08