

# iglidur<sup>®</sup> Polymer Bearing with integrated Seal



**Polymer plain bearing with incorporated radial sealing**

**Seal towards the rotating shaft**

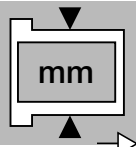
**Reduced space requirement and easy, fast installation**

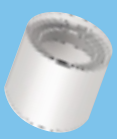
**Can be realized with various seal types**

**High-temperature version VDSM available**

iglidur<sup>®</sup> Polymer Bearing with integrated Seal

Phone +49 - 22 03 - 96 49-145  
Fax +49 - 22 03 - 96 49-334





## iglidur® Polymer Bearing with integrated Seal

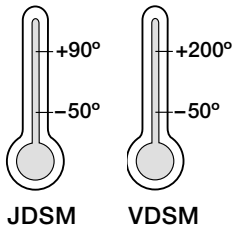
A quickly and easily mountable polymer bushing made of iglidur®; with clipped radial sealing rotating shafts. Insulates against dirt, dust and all unpressurized liquids.

iglidur® Polymer Bearing with integrated Seal

2 Materials



Phone +49 - 22 03 - 96 49-145  
Fax +49 - 22 03 - 96 49-334



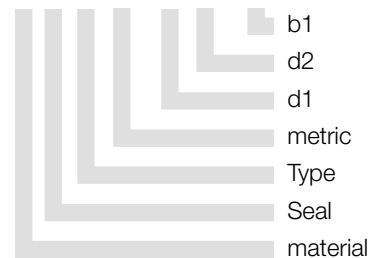
### Special properties:

- Polymer bearing with clipped-in radial shaft seal
  - Seals towards the rotating shaft
  - Temperaturerange like iglidur® J
  - Coefficient of friction only 10% higher than iglidur® J
  - Wear data similarly excellent as iglidur® J
  - Reduced space requirement and easy, fast installation
  - Can be realized with various seal types
- Other seals or bearing materials on request

Data in mm

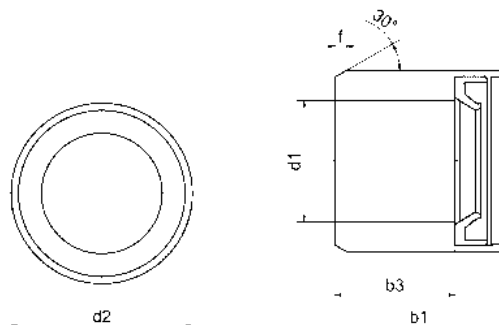
Structure – part no.

**J D S M-1015-14**



igus® GmbH  
51147 Cologne

Internet [www.igus.de](http://www.igus.de)  
E-mail [info@igus.de](mailto:info@igus.de)



### Dimensions [mm]

iglidur® Polymer Bearings with integrated Seal

Part No.	d1	d2	d4	d5	b1	b3	f
	E11	Ø	Ø	Ø	h1		
JDSM-1015-14	10	15	13,8	14	14	10	1
VDSM-1015-14	10	15	13,8	14	14	10	1