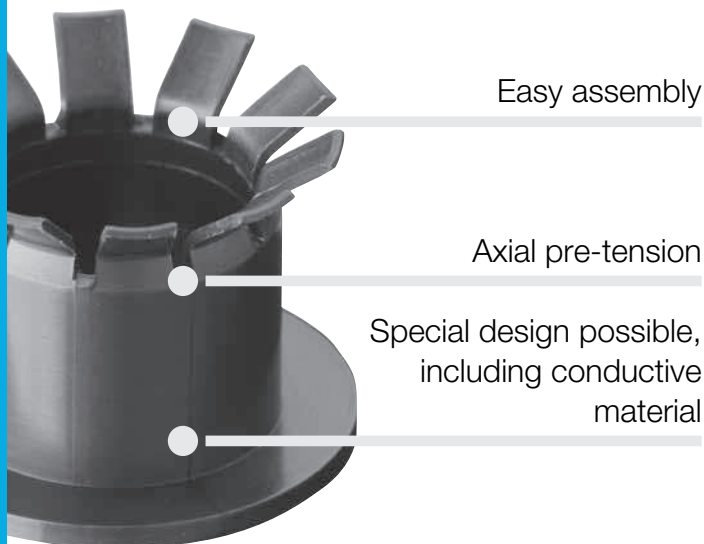
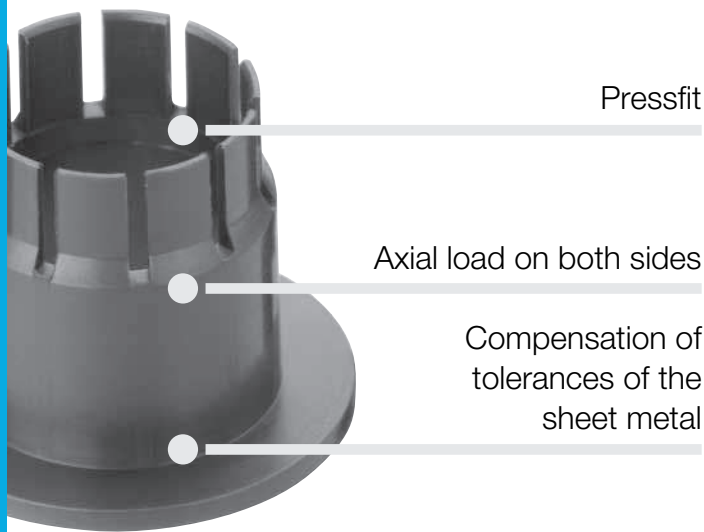


iglidur® MKM Double Flange Bearing

Bearing with flanges on both ends made of iglidur® M250. Easy installation by pressing in and turning down the “second flange” in one step



When to use it?

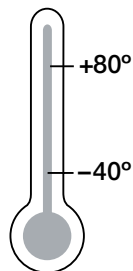
- When a double flanged bearing is needed
- When the housing bore is more than 4 mm long
- When the press fit force cannot be guaranteed
- When a double flange is required as a thrust surface



When not to use it?

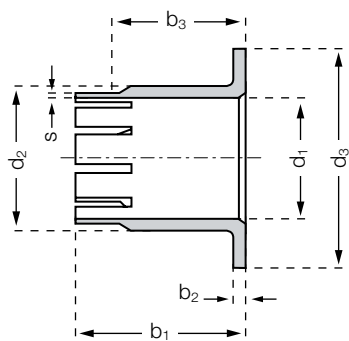
- When extreme compressive strengths are required
 - ▶ **iglidur® G, page 61**
- When a simple press-fit bearing is required
 - ▶ **iglidur® M250, page 107**
- When a clip bearing for sheet metal is required
 - ▶ **iglidur® Clipslager, page 503**

Temperature



iglidur® MKM Double Flange Bearing | Product Range

Double Flange Bearing



Order key

MKM-1012-10



Metal sheet thickness
Outer diameter d2
Inner diameter d1
Metric
Type (Form K)
Material iglidur® M250

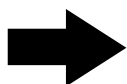


Material:

iglidur® M250 ► page 107

Dimensions [mm]

Part number	d1	d2	d3	b1	b2	b3	s
MKM-1012-10	10	12	18	14	-0.14	±0.5	±0.1



Press in, fold down, finished: axial load on both sides



delivery
time

available
from stock



prices

price list online
www.igus.eu/eu/mkm



order
example

part number
MKM-1012-10

My Sketches

