

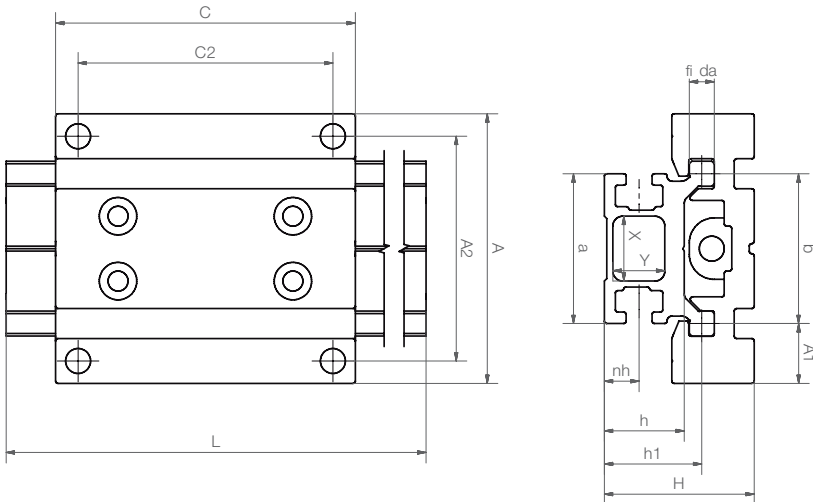


Order key
complete system

Type	Dimensions [mm]/Type
------	----------------------

W K P C -06-30-06

drylin® W	Complete system	Plastic	Carbon	Shafts-Ø	Rail width	Carriage length
-----------	-----------------	---------	--------	----------	------------	-----------------



Guide rail technical data

Part No.	F max. radial		Weight	I _y	I _z
	stat. [N]	dyn. [N]			
WSPC-06-30	300	60	410	30,391	11,674

Guide profile dimensions [mm]

Part No.	a	b	da -0.1	h	h1	nh	X	Y	L
WSPC-06-30	30	30	5	16	19.5	7	13	10	3,000

Guide carriage dimensions [mm]

Part No.	H	A1	A	A2	C	C2
WWPL-06-30-06	30	12	54	45	60	51