



drylin® T Rail Guide Systems



Corrosion-resistant

Wear-resistant

Low friction

Extremely quiet operation

Lubrication-free

drylin® T | Rail Guide Systems

drylin® T rail guide systems were originally developed for applications in both automation and materials handling. The goal was to create a high performance, maintenance-free linear guide for use in the most diverse, even extreme environments. Their dimensions are identical to most recirculating ball guides.



Advantages:

- 100 % lubrication-free
- Adjustable clearance
- Automatic clearance adjustment
- High static load capacity
- Service life up to 50,000 km without lubrication
- High insensitivity to dirt
- Low vibration and quiet run



When not to use them?

- When I want to save installation space
▶ drylin® N, page 821, ▶ drylin® W, page 835
- When I need a pure stainless steel solution
▶ drylin® W, page 835, ▶ drylin® R, page 869
- When I want to build a minimum-cost solution
▶ drylin® SHT, page 1021, ▶ drylin® E, page 1089

Size 15

Size 20

Size 25

Size 30



Lubrication-free



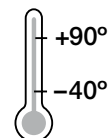
Cleanroom certificated
IPA Fraunhofer
▶ page 764



Free of toxins
ROHS 2002/95/EC



ESD compatible
(electrostatic discharge)



Temperature



drylin® T | Product Overview

**Standard**

- supplied preset and can be put into operation at once
- Manual clearance adjustment or fine tuning
- Maintenance-free without lubrication
- Corrosion-resistant

► page 807

**Automatic**

- With a mechanism that automatically adjusts the bearing clearance after removal of the preload key and adjusts during operation
- Maintenance-free without lubrication
- Corrosion-resistant

► page 807

**With manual clamp**

- Manual adjustable clearance
- Maintenance-free dry-running
- Corrosion-resistant

► page 808

**Heavy Duty**

- Used for the most extreme conditions (dirt, adhesive residues, chips, mud, etc.)
- Plastic gliding elements are fixed in the lid and are therefore non-detachable

► page 809

**Compact**

- Narrow linear guide carriage for small installation space
- Plastic gliding elements are fixed in the lid and are therefore non-detachable

► page 809

**Miniature**

- small, compact, lubrication-free
- Easy to adjust
- robust and cost-effective

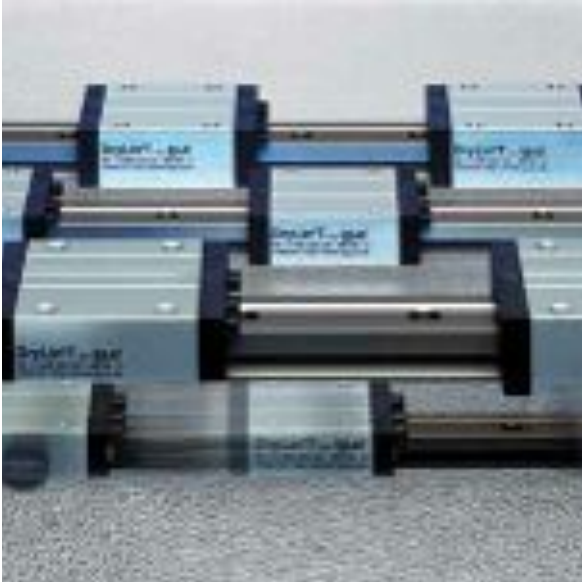
► page 810

**Clamps**

- Compact and strong clamping elements for all installation sizes – holding forces up to 500 N

► page 811

drylin® T | Application Examples



Typical sectors of industry and application areas

- machine building
- Wood working industry
- Machine tools
- Handling e.t.c.

Improve technology and reduce costs –
170 exciting examples online

► www.igus.eu/drylin-applications



► www.igus-packaging.eu



► www.igus.eu/grinding-machine



► www.igus.eu/enveloping



► www.igus-automotive.com

drylin® T | Technical Data

Guide rails

Material	Aluminum, extruded section
Substance	AlMgSi0,5
Coating	Hard anodized aluminum, 50 µm
Hardness	500 HV

Sliding carriage

Base structure	Aluminum, extruded section
Material	Al Mg Si 0,5
Coating	Anodized aluminum
Sliding elements	Maintenance-free plain bearing iglidur® J
Bolts, springs	Stainless steel
Cover	Plastic
Max. surface speed	15 m/s
Temperature range	-40 °C to +90 °C

Table 01: drylin® – technical data

Typ	C_{0Y} [kN]	$C_{0(-Y)}$ [kN]	C_{0Z} [kN]	M_{0X} [Nm]	M_{0Y} [Nm]	M_{0Z} [Nm]
04-09	0.48	0.48	0.24	3.4	1.8	1.8
04-12	0.96	0.96	0.48	9.2	4.4	4.4
04-15	1.4	1.4	0.7	17	8	8
01-15	4	4	2	32	25	25
01-/02-20	7.4	7.4	3.7	85	45	45
01-/02-25	10	10	5	125	65	65
01-/02-30	14	14	7	200	100	100

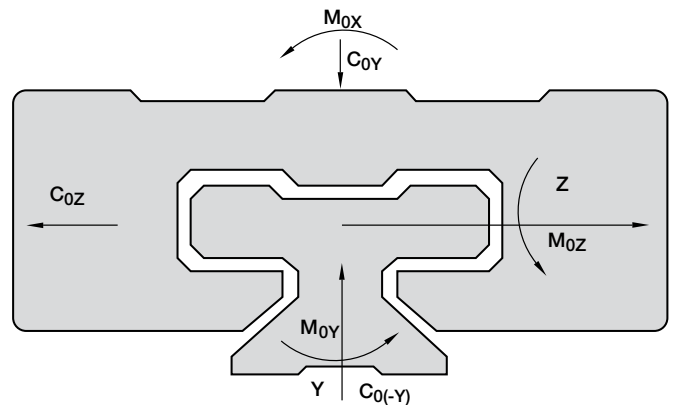
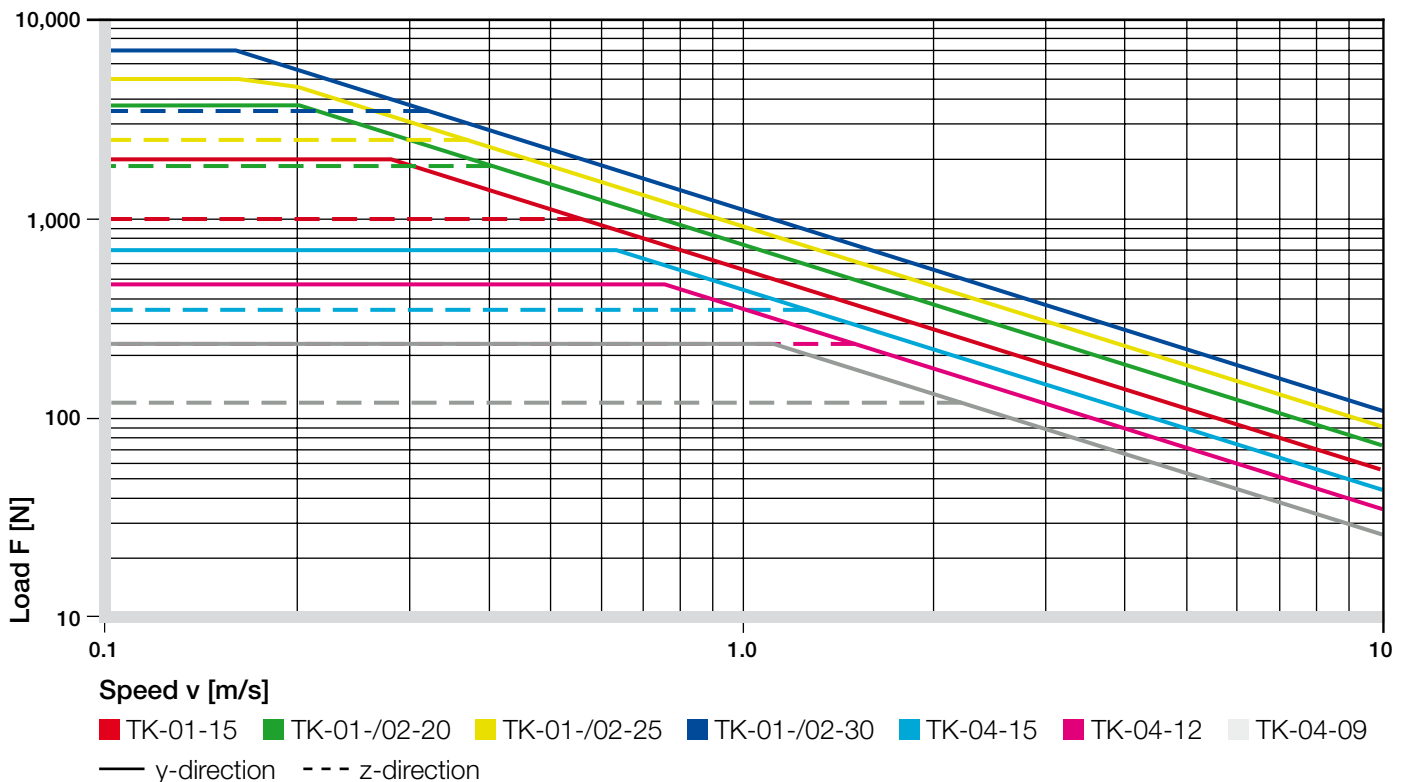


Table 02: drylin® – permissible static load capacity

Graph 01: Designation of load directions



Graph 02: drylin® T – permissible dynamic load

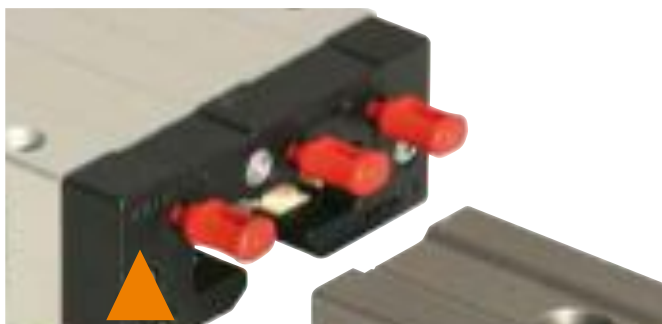
Installation Notes

The compensation of parallelism errors between mounted rails is possible with a fixed/floating bearing in the range up to maximum 0.5 mm. During installation, take care that the floating bearing has the same clearance on both sides. In the adjoining designs you can see the version of the fixed/floating bearing system recommended by us.

The mounting surfaces of the rails and carriages should possess a good evenness (e.g. machined surface) to prevent twisting in the system. Small unevennesses in the mounting surfaces can be individually compensated up to a certain measurement (0.5 mm) by a greater clearance adjustment. The clearance adjustment is possible only in unloaded state. If you have any questions on design and/or assembly, please make use of our applications consultancy.

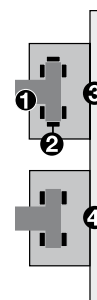
Installation drylin® T linear guide system:

Make sure to assemble the side of the carriage saying "Reset Clearance" onto the rail first (see picture).

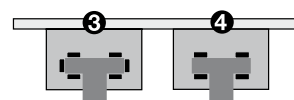


Lateral/vertical installation with floating bearing in the z-direction

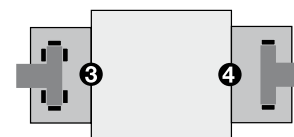
- ❶ Rail
- ❷ Sliding elements
- ❸ Fixed bearing
- ❹ Floating bearing LLZ or LLY



Horizontal installation with floating bearing in the z-direction



Horizontal mounting version with floating bearing in the y-direction and lateral mounting carriage



TW-series, adjustable clearance

TWA-series, Automatic

Rail joint

drylin® T | Design rules

Floating bearings for linear slide guides

In the case of a system with two parallel guides, one side needs to be configured with floating bearings.

A suitable solution comprising fixed & floating bearings is available for every installation position, whether horizontal, vertical or lateral. This type of assembly prevents jamming and blockage on the guides resulting from discrepancies in parallelism. Floating bearings are realized through a controlled extension of play in the direction of the expected parallelism error. This creates an additional degree of freedom on one side.

During assembly, it must be ensured that the floating bearings exhibit a similar degree of play in both directions. The systems of fixed & floating bearings we recommend are represented in various related chapters.

The contact surfaces on the guides and carriages should be sufficiently even (for instance, milled down) to prevent strains from occurring in the system.

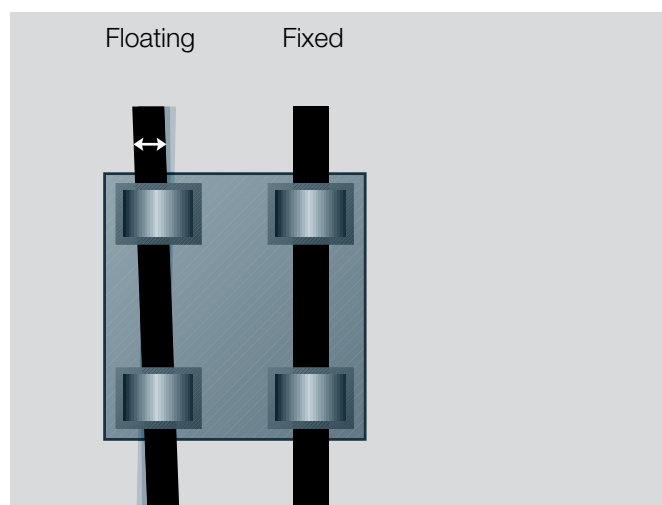
Eccentric Forces

To ensure successful use of maintenance-free drylin® linear bearings, it is necessary to follow certain recommendations: If the distance between the driving force point and the fixed bearings is more than twice the bearing spacing (2:1 rule), a static friction value of 0.25 can theoretically result in jamming on the guides. This principle applies regardless of the value of the load or drive force.

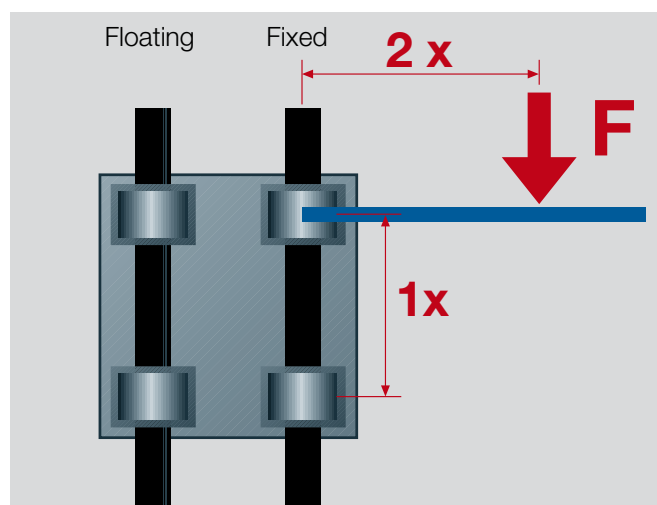
The friction product is always related to the fixed bearings. The greater the distance between the drive and guide bearings, the higher the degree of wear and required drive force.

Failure to observe the 2:1 rule during a use of linear slide bearings can result in uneven motion or even system blockage. Such situations can often be remedied with relatively simple modifications.

If you have any questions on design and/or assembly, please contact our application engineers.



Graph 02: Automatic compensation of parallelism errors



Graph 03: The 2:1 rule



drylin® Expert & Lifetime calculation:
► www.igus.eu/drylin-expert



drylin® CAD configurator:
► www.igus.eu/drylin-cad-expert

drylin® T guide rails

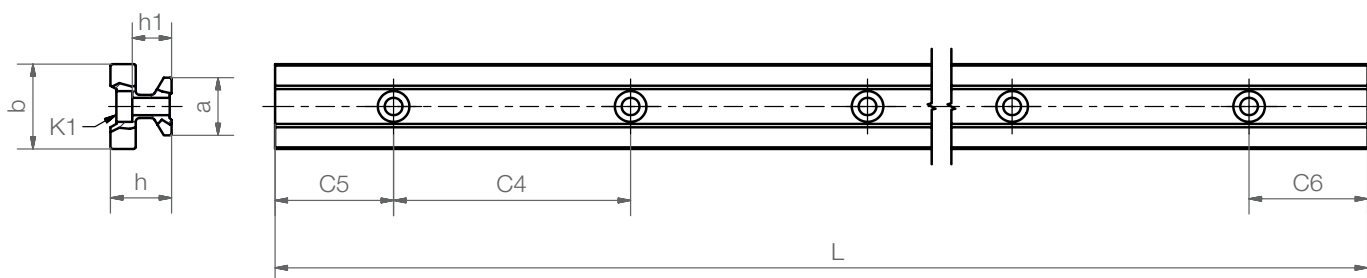


TS-01-...

TS-11-...*

- Rail made of anodized aluminum
- Standard bore pattern symmetrical C5 = C6
- Rails without mounting holes available (suffix "without holes")
- Guide rails clear anodized available (suffix "CA": e.g. TS-01-15-CA)
- * TS-11-20: Clear anodized and weight- reduced guide rail as an alternative to TS-01-20

i Hard anodized surface
▶ page 788



Dimensions [mm]

Part number	Weight [kg/m]	L max.	a -0.2	C4 min.	C5 max.	C5 min.	C6 min.	C6 max.	h	h1	K1 for Screw DIN 912	b	I _y [mm ⁴]	I _z [mm ⁴]	W _{by} [mm ³]	W _{bz} [mm ³]
TS-01-15	0.6	4,000	15	60	20	49	20	49	15.5	10.0	M4	22	6,440	4,290	585	488
TS-01-20	1.0	4,000	20	60	20	49	20	49	19.0	12.3	M5	31	22,570	11,520	1,456	1,067
TS-11-20*	0.5	4,000	20	120	20	49	20	49	19.0	12.3	M5	31	12,140	6,360	780	620
TS-01-25	1.3	4,000	23	60	20	49	20	49	21.5	13.8	M6	34	34,700	19,300	2,041	1,608
TS-01-30	1.9	4,000	28	80	20	59	20	59	26.0	15.8	M8	40	70,040	40,780	3,502	2,832

In combination with



TW-01 Linear Guide Carriage - Adjustable clearance
▶ page 807



TW-02 Linear Guide Carriage - Heavy Duty ▶ page 809



TWA-01 Linear Guide Carriage - Automatic
▶ page 807



TW-03 Linear Guide Carriage - compact ▶ page 809



TW-01-HKA Linear Guide Carriage with manual clamping
▶ page 808

delivery from stock time

prices price list online
www.igus.eu/eu/drylinT

Order notice ▶ page 812

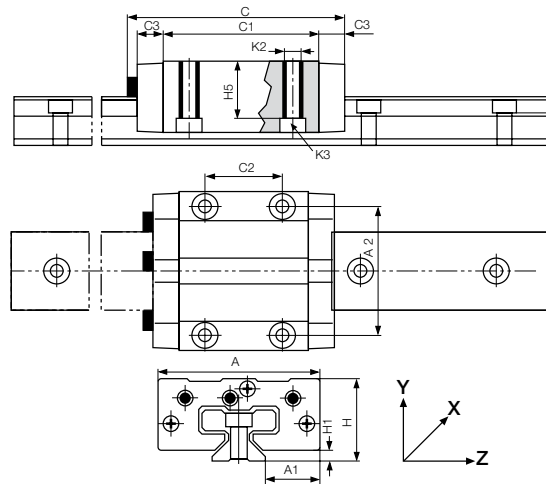
TS rails (single)
TW guide carriages (single)
TK complete system (TS+TW assembled)

drylin® T Rail Guide Systems | Product Range

drylin® T Linear Guide Carriage – Adjustable clearance



- linear guide carriage with manual adjustable clearance
- Suffix “-LLY” for a guide carriage with floating bearing in y-direction
- Suffix “-LLZ” for a guide carriage with floating bearing in z-direction
- In combination with drylin® T Rails TS-01



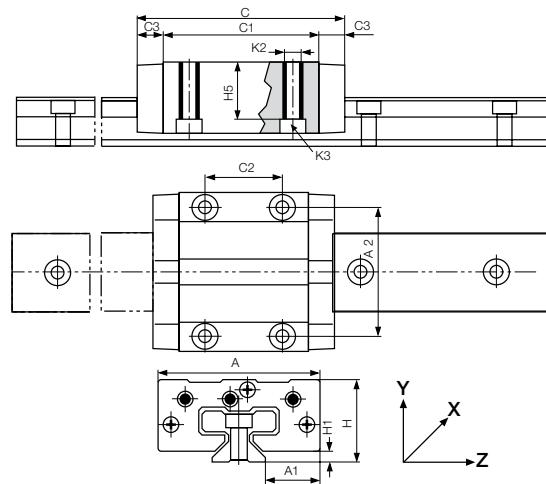
Dimensions [mm]

Part number	Weight [kg]	H	A	C	A1	A2	C1	C2	C3	H1	H5	K2- Thread	Torque max. [Nm]	K3 for Screw DIN 912
		±0.35			±0.35					±0.35				
TW-01-15	0.11	24	47	74	16.0	38	50	30	9	4.0	160	M5	1.5	M4
TW-01-20	0.19	30	63	87	21.5	53	61	40	10	5.0	19.8	M6	2.5	M5
TW-01-25	0.29	36	70	96	23.5	57	68	45	11	5.0	24.8	M8	6.0	M6
TW-01-30	0.50	42	90	109	31.0	72	79	52	12	6.5	27.0	M10	15.0	M8

drylin® T Linear Guide Carriage – Automatic



- Self-adjusting carriage (automatic clearance adjustment)
- Suffix “-LLY” for a guide carriage with floating bearing in y-direction
- Suffix “-LLZ” for a guide carriage with floating bearing in z-direction
- In combination with drylin® T Rails TS-01



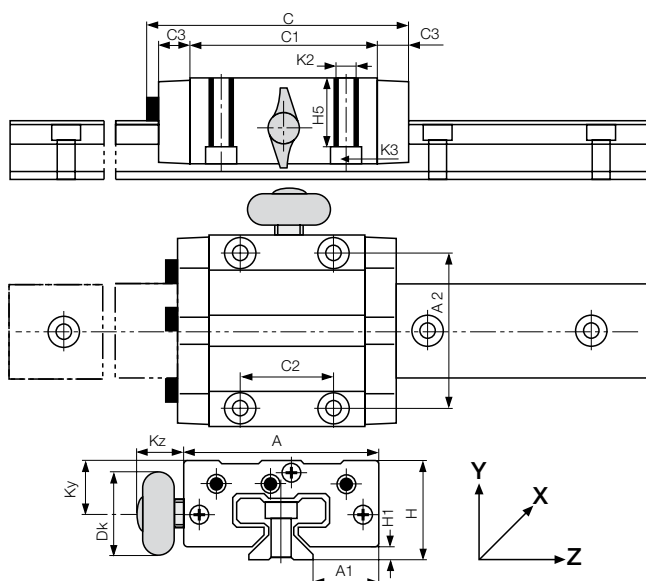
Dimensions [mm]

Part number	Weight [kg]	H	A	C	A1	A2	C1	C2	C3	H1	H5	K2- Thread	Torque max. [Nm]	K3 for Screw DIN 912
		±0.35			±0.35					±0.35				
TWA-01-15	0.11	24	47	68	16.0	38	50	30	9	4.0	16.0	M5	1.5	M4
TWA-01-20	0.19	30	63	81	21.5	53	61	40	10	5.0	19.8	M6	2.5	M5
TWA-01-25	0.29	36	70	90	23.5	57	68	45	11	5.0	24.8	M8	6.0	M6
TWA-01-30	0.50	42	90	103	31.0	72	79	52	12	6.5	27.0	M10	15.0	M8

drylin® T Linear Guide Carriage with manual clamping



- Linear Guide Carriage with manual clamping
- Manual adjustable clearance
- In combination with drylin® T Rails TS-01
 - ▶ page 806
- other dimensions as Standard Linear guide carriage
 - ▶ page 807




Dimensions [mm]

Part number	Size	Kz	Ky	Dk	Thread of the clamp
TW-01-15-HKA	15	19.0	11.5	20.0	M6
TW-01-20-HKA	20	18.0	15.0	28.0	M8
TW-01-25-HKA	25	17.0	19.0	28.0	M8
TW-01-30-HKA	30	20.0	21.5	28.0	M8

i The manual clamp has been developed for simple tasks. The creep behavior of the clamped plastic causes a slackening in clamping force over time (up to 70 %). Therefore safety-related parts should not be clamped. Please contact our applications consultant if you require other options for the clamping.

 **delivery from stock**
time

 **prices** price list online
www.igus.eu/eu/drylinT

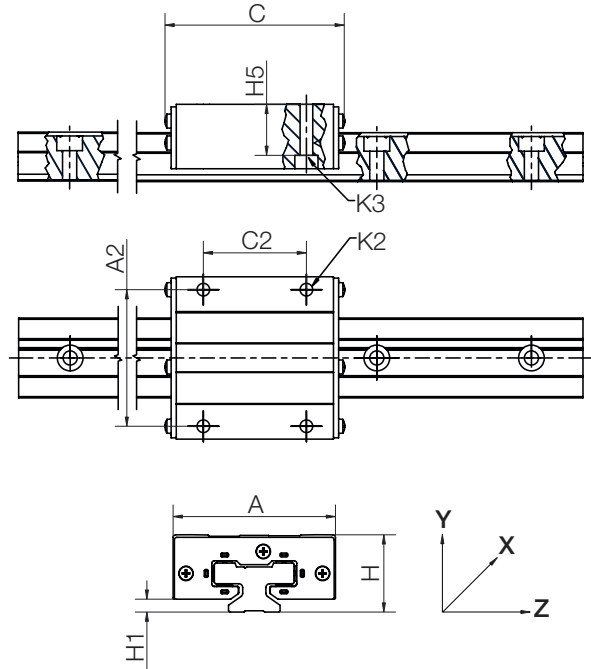
 **Order notice** ▶ page 812
TS rails (single)
TW guide carriages (single)
TK complete system (TS+TW assembled)

drylin® T Rail Guide Systems | Product Range

drylin® T Linear Guide Carriage – Heavy Duty



- Linear guide carriage for extreme conditions (dirt, glue resins, chips, mud etc.)
 - Carriage with floating bearing on request
 - In combination with drylin® T Rails TS-01
- page 806



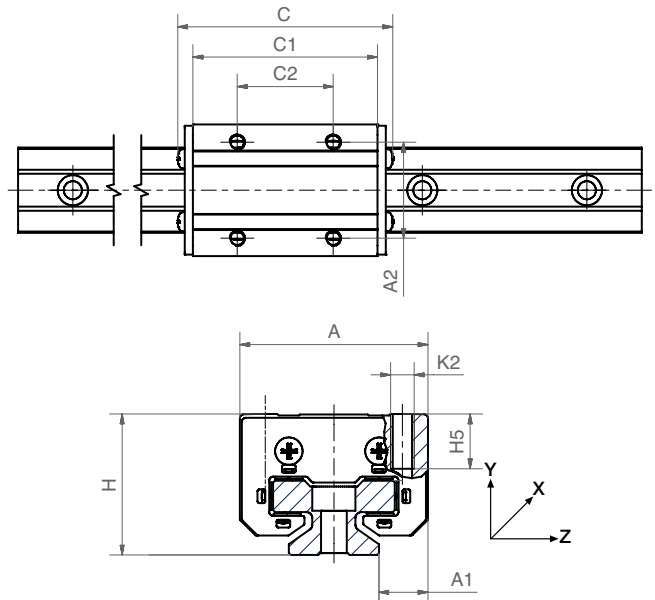
Dimensions [mm]

Part number	Weight [kg]	H ±0.35	H5	A	C	A2	C2	H1 ±0.35	K2	K3
TW-02-20	0.19	30	19.8	63	70	53	40	5.0	M6	M5
TW-02-25	0.29	36	24.8	70	77	57	45	5.0	M8	M6
TW-02-30	0.50	42	27.0	90	92	72	52	6.5	M10	M8

drylin® T Linear Guide Carriage – Compact



- Compact linear guide carriage for tough applications (clearance not adjustable)
 - Narrow design, compatible with commercially available recirculating ball bearing systems
 - In combination with drylin® T Rails Size 20 (TS-01-20 und TS-11-20)
- page 772



Dimensions [mm]

Part number	Weight [kg]	H ±0.35	A	C	A1	A2	C1	C2 ±0.35	H1	H5	K2	Torque max. [Nm]
TW-03-25	0.16	36	48	84	12.5	35	68	35	5	13	M6	6.0

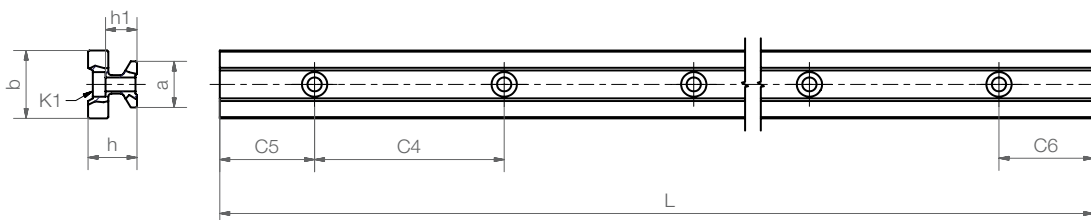
Order example: TS-03-25, for a narrow and high guide carriage design

drylin® T Miniature Guide Systems



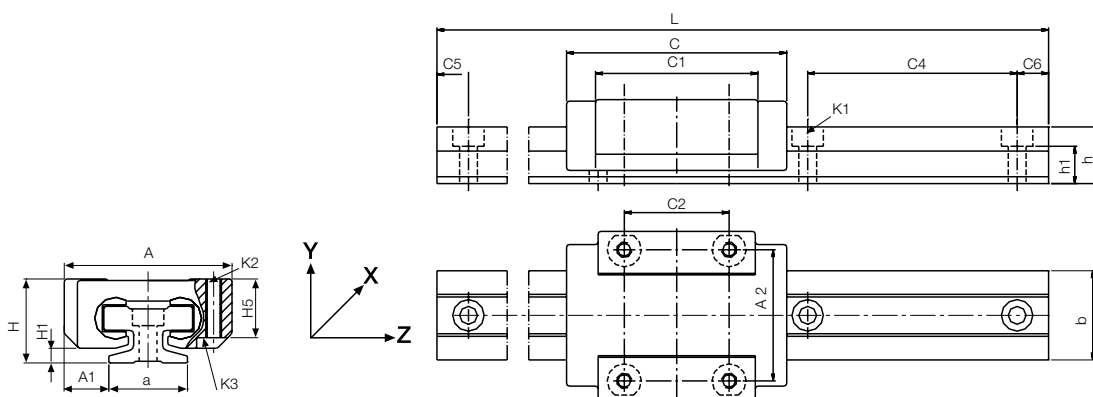
TS-04-...

- Rails made of hard anodized aluminium
- Slide carriage housing is a chromated zinc casting
- Wear-resistant and replaceable gliding elements made of iglidur® J
- Rails without mounting holes available (suffix "without holes")
- Small mounting height and width
- easy to adjust
- maintenance- and lubrication-free



drylin® T Miniature Rails – Dimensions [mm]

Part number	Weight [kg/m]	L max.	a -0.2	C4	C5		C6	C6	h	h1	K1 for Screw		b	ly [mm ⁴]	lz [mm ⁴]	Wby [mm ³]	Wbz [mm ³]
					min.	max.					min.	max.					
TS-04-09	0.11	2,000	9	20	5	14.5	5	14.5	6.3	4.6	M2		9.6	252	169	52	49
TS-04-12	0.20	2,000	12	25	5	17.0	5	17.0	8.6	5.9	M3		13	856	574	132	120
TS-04-15	0.33	3,000	15	40	10	29.5	10	29.5	10.8	7.0	M3		17	2,420	1,410	285	239



drylin® T Miniature Carriages – Dimensions [mm]

Part number	Weight [g]	H ±0.2	A -0.2	C ±0.3	A1 ±0.35	A2	C1	C2	H1 ±0.35	H5	K2- Thread	Torque max. [Nm]	K3 for Screw DIN 912
TW-04-09	17	10	20	29	5.5	15	18	13	1.7	7.2	M2	0.25	M2
TW-04-12	34	13	27	34	7.5	20	22	15	2.2	9.5	M3	0.50	M2 (M3)*
TW-04-15	61	16	32	42	8.5	25	31	20	2.8	11	M3	0.50	M2 (M3)*

* (M...) = bored out



delivery from stock
time



prices price list online
www.igus.eu/eu/drylinT



Order notice ► page 812

TS rails (single)

TW guide carriages (single)

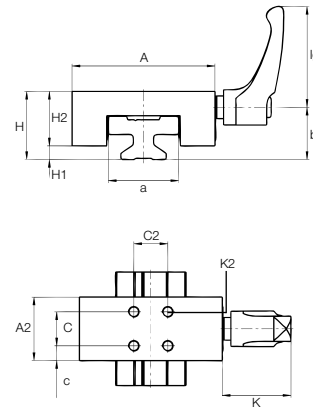
TK complete system (TS+TW assembled)

drylin® T Rail Guide Systems | Product Range

Clamping Elements and Manual Clamping for quick positioning



- Compact clamping of high loads, for all sizes (15–30) – holding force up to 500 N
- Pneumatic clamping – (on request)
- Simple assembly



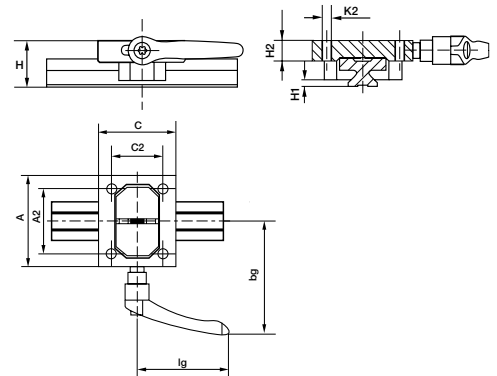
Clamping Elements for drylin® T Rail Guide Systems – Dimensions [mm]

TWBM-11: narrow design with clamping elements made of plastic

Part number	A	a	A2	H	H1	H2	K	K2	C	C2	c	lg	b
TWBM-11-15	47	22	23	24	4	20	30	M4	15	15	4	44	18.9
TWBM-11-20	63	31	28	30	6	24	30	M5	15	15	6.5	44	23
TWBM-11-25	70	34	35	36	5	31	39	M6	20	20	7.5	63.63	26.2
TWBM-11-30	90	40	38	42	6.5	35.5	47	M6	20	20	9	78	32.4



- Clamping of high loads, up to 500 N per clamp
- Brass clamp elements
- Location bores as TW-01-25
- Removable hands



drylin® T Manual Clamping – Dimensions [mm]

TWBM-01: solid design with brass clamp elements, location bores as TW-01-25

Part number	A	A2	H	H1	H2	K2	C	C2	lg	bg
TWBM-01-25*	80	57	36	5	16	M8	68	45	80	99

* Only for guide rails TS-01-25



delivery from stock
time



prices price list online
www.igus.eu/eu/drylinT



Order notice ► page 812

TS rails (single)
TW guide carriages (single)
TK complete system (TS+TW assembled)



Order key complete system:

TK(A)-01-15-HKA-2-2000



Length of rail (mm)

Number of carriages

Options

blank: Standard

-LLY for a guide carriage with floating bearing in y-direction

-LLZ for a guide carriage with floating bearing in z-direction

-HKA for a guide carriage with manual clamping

(only for Type 01)

Size

Type

01: Standard

02: Heavy Duty

04: Miniature

Complete Set

TK: Complete set with rail and carriage

TKA: Complete set automatic version



Declaration:

This order example (TK-01-15-2, 500) corresponds to a drylin® T system (TKA = automatic) of size 15 with 2 carriages (for single part numbers see acc. pages) and 500 mm rail length.

Order TK-01-15-2,500, LLY(Z) for a complete system with floating bearing in y(z)-direction

Valid for guide carriages:

For rails without mounting holes, please use part number suffix "without mounting holes".

drylin® T guide rails as clear anodised version. Please use suffix "CA".

drylin® T alternate plastic sliding parts (set)

Material iglidur® J ► page 93

Guide carriages	Part number sliding part set
TW-01-15	TEK-01-15
TW-01-20	TEK-01-20
TW-01-25	TEK-01-25
TW-01-30	TEK-01-30
TW-02-20	TEK-02-20
TW-02-25	TEK-02-25
TW-02-30	TEK-02-30
TW-04-09	TEK-04-09
TW-04-12	TEK-04-12
TW-04-15	TEK-04-15

drylin® T | Adjusting and Installation

drylin® T – Adjusting the Clearance

drylin® T is delivered ready for installation. Clearance of the carriage is adjusted at the factory. The preadjustment is determined by the acting forces on each individual system. If you have special requirements, please indicate in your order whether particularly limited or extended bearing clearance is required. If necessary, clearance of the drylin® T linear guide system can be readjusted. This should always take place when there is no load on the carriage.

1. After removing the protective cover, loosen the locknuts –
Width across flats:

- SW 5 for TW-01-15 and TW-01-20
- SW 7 for TW-01-25 and TW-01-30

2. Adjust the bearing clearance for the 3 guide points with an Allen key – Allen key size:

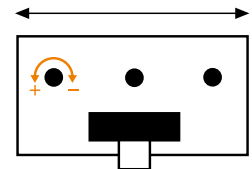
- 1.5 mm for TW-01-15 and TW-01-20
- 2.0 mm for TW-01-25 and TW-01-30

3. Check the clearance of the carriage after adjusting the 3 levels. If it is sufficient, tighten the locknuts and put on the cover.

4. There is a danger that excessive reduction of the clearances can seize the gliding elements and that the clearance cannot be reset simply by loosening the adjustment screws. The gliding elements are then released by pressing the reset button on the opposite side. Press hard against the readjusting spring. You must have already loosened the respective adjustment screws.

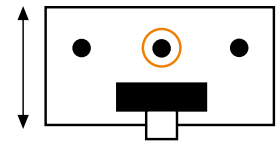
Use the correct size pin for this purpose:

- 2.5 mm for TW-01-15 and TW-01-20
- 3.0 mm for TW-01-25 and TW-01-30

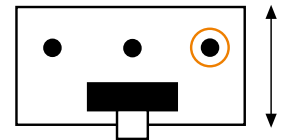


Lateral guide:

- less clearance
- + more clearance



Vertical guide left

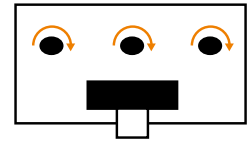


Vertical guide right

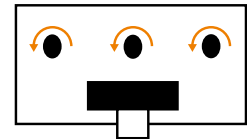
drylin® T Automatic – Adjusting the Clearance

The drylin® T Automatic series offers you an automatic adjustment of the clearance. A readjustment can take place automatically in steps of 0.1 mm. Springs tighten the regulating wedge immediately as soon as the clearance is bigger than 0.1 mm and the system is unloaded.

1. The system will be delivered with 3 spanners which are already plugged in. They are necessary for mounting the carriage onto the rail. In case these spanners are removed they need to be replugged into the openings and turned right by 90°.
2. When the carriage is on the rail, loosen the spanners by turning them left 90° and remove them. The clearance will be adjusted automatically.
3. Check the clearance of the carriage. A fine adjusting can be done at this point.
4. You can remove the carriage at any time. In order to do so, simply plug the spanners back into the openings (see step 1).



locked



unlocked



drylin® T | System Design

For the exact calculation of the drylin® T Linear Guide System it is essential to find out whether the position of the forces is within the allowable limits, and if the sliding pad where the highest forces occur is not overloaded.

The calculation of the necessary driving force and the maximum permissible speed is important. Each orientation requires a different formula for calculation.

Please note that the following calculations do not contain any guarantees with regard to impact loads and acceleration forces. The drive should always take place precisely in the x direction, as additional loads and increased drive resistances (danger of seizing) occur (for e.g. in crank drive) that cannot be neglected.

Variables in the calculations:

Fa:	Drive Force	[N]
Fs:	Applied Mass	[N]
Fy, Fz:	Bearing Load in y- or z-direction	[N]
sx, sy, sz:	Location of the centre of gravity in x-, y- or z-direction	[mm]
ay, az:	Location of the driving force in y- or z-direction	[mm]
wx:	Distance between carriages, on a rail	[mm]
LX:	Constant from table below	[mm]
Zm:	Constant from table below	[mm]
Y0:	Constant from table below	[mm]
b:	Distance between guide rails	[mm]
μ:	Coefficient of friction, μ = 0 for static loads, μ = 0.2 for dynamic loads	
ZW:	Number of carriages per rail	

The constant values [mm]:

Part number	LX	Zm	Y0
TW-01-15	29	16	11.5
TW-01-20	35	23	15.0
TW-01-25	41	25	19.0
TW-01-30	49	29	21.5

Recommended procedure

1st step:

Select the orientation

- horizontal
 - 1 rail and 1 carriage
 - 1 rail and 2 carriages
 - 2 rails and 4 carriages
- lateral
 - 1 rail and 1 carriage
 - 1 rail and 2 carriages
 - 2 rails and 4 carriages
- vertical
 - 1 rail and 1 carriage
 - 1 rail and 2 carriages
 - 2 rails and 4 carriages

2nd step:

Check to see whether the offset distances of the applied forces are within the permissible values

3rd step:

Calculate the necessary drive force

4th step:

Calculate the maximum bearing load in y- and z-directions

5th step:

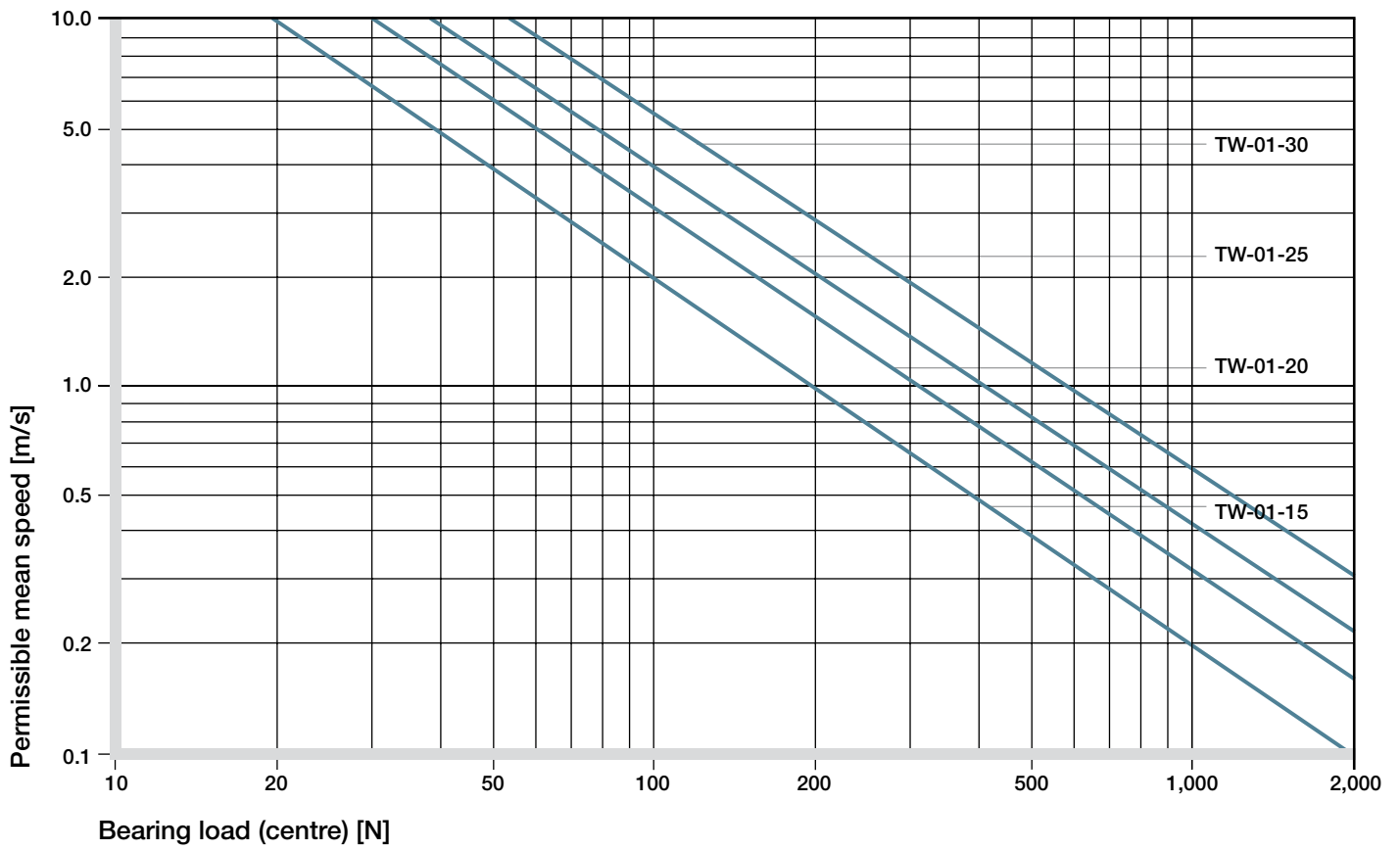
Check out the maximum bearing load of the most strongly affected bearing with the load calculated in step No. 4.

6th step:

Determination of the maximum permitted speed for the load from step No. 4.

Coefficients

	1 rail, 1 carriage	1 rail, 2 carriages	2 rails, 3–4 carriages
K1	$ (ay + Y0)/Lx $	$ (ay + Y0)/Wx $	$ (ay + Y0)/Wx $
K2	$(sy + Y0)/Lx$	$(sy + Y0)/Wx$	$(sy + Y0)/Wx$
K3	$ az/Lx $	$ az/Wx $	$ az/Wx $
K4	$ sx/Lx $	$ sx/Wx $	$ sx/Wx $
K5	sz/Lx	$ sz/Wx $	$ sz/Wx $
K6	$ (sy + Y0)/Zm $	$ (sy + Y0)/Zm $	$ (sy + Y0)/b $
K7	$ sz/Zm $	$ sz/Zm $	$ (sz/b) - 0.5 $



Graph 04: Graph to determine the maximum permissible speed for the calculated bearing load

Part number	$F_{y\max}, F_{z\max}$ [N]
TW-01-15	2,000
TW-01-20	3,700
TW-01-25	5,000
TW-01-30	7,000

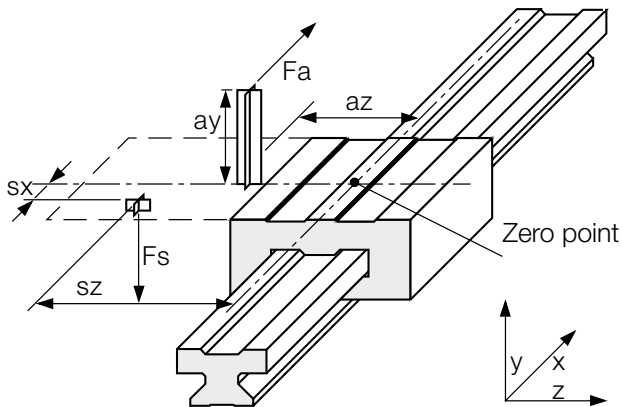
Table 03: Maximum permissible load

drylin® T | Mounting Version Horizontal

Maximum permissible distances:

Variation: 1 rail, 1 carriages

$s_y + s_z$	<	$2 L_x - Y_0$
$a_y + a_z$	<	$2 L_x - Y_0$
s_y	<	$5 Z_m$
s_z	<	$5 Z_m$

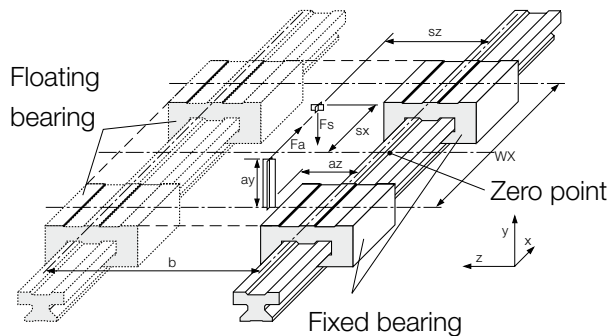


Maximum permissible distances:

Variation: 1 rail, 2 carriages

Variation: 2 rails, 4 carriages

$s_y + s_z$	<	$2 w_x - Y_0$
$a_y + a_z$	<	$2 w_x - Y_0$



2nd step:

Check to see whether the maximum distances of the applied forces are within the permissible values. (See maximum permissible distances)

3rd step:

Calculate the necessary drive force

3.1 Maximum bearing load

in **x- and z-direction**

outside of the carriage(s)

$$F_{a_1} = \frac{\mu}{1 - 2\mu K_3} \cdot F_s$$

3.2 Maximum bearing load

in **z-direction**

outside of the carriage(s)

$$F_{a_2} = \frac{2\mu K_7}{1 - 2\mu K_3} \cdot F_s$$

3.3 Maximum bearing load

in **x-direction**

outside of the carriage(s)

$$F_{a_3} = \frac{2\mu K_4}{1 - 2\mu K_3 - 2\mu K_1} \cdot F_s$$

If the position of the centre of gravity is not specified:

$$F_a = \text{MAX} (F_{a_1}, F_{a_2}, F_{a_3})$$

4th step:

Calculate the maximum bearing load

4.1 Maximum bearing load

in **y-direction**

$$F_{y_{\max}} = \frac{2F_s}{Z_w} \left(\frac{2K_4 + 0.5}{Z_w} \right) \cdot \left(K_7 + 0.5 \right) + \frac{2F_a K_1}{Z_w^2}$$

4.2 Maximum bearing load

in **z-direction**

$$F_{z_{\max}} = \frac{4F_a K_3}{Z_w^2}$$

2nd step:

Check to see whether the maximum distances of the applied forces are within the permissible values.
(See maximum permissible distances)

3rd step:

Calculate the necessary drive force
First two calculations must be made:

$$Fa_1 = \frac{(1 + 2K_6)\mu}{1 - 2\mu K_1} \cdot Fs$$

$$Fa_2 = \frac{(2K_4 + 2K_6)\mu}{1 - 2\mu K_1 - 2\mu K_3} \cdot Fs$$

The drive force Fa corresponds to the calculated maximum value:

$$Fa = \text{MAX}(Fa_1, Fa_2, Fa_3)$$

4th step:

Calculate the maximum bearing load

4.1 Maximum bearing load in y-direction

$$Fy_{\max} = \frac{FsK_6}{Zw} + \frac{2FaK_3}{Zw^2}$$

4.2 Maximum bearing load in z-direction

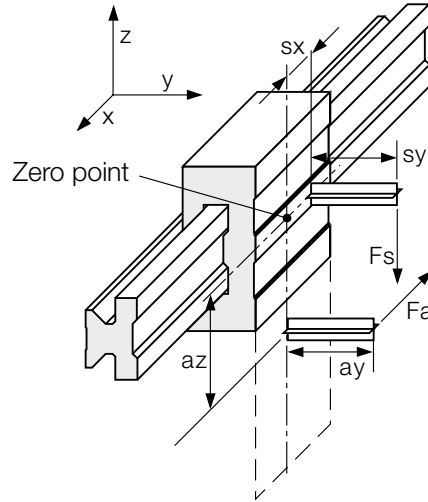
$$Fz_{\max} = \frac{2Fs}{Zw} \left(\frac{2K_4}{Zw} + 0.5 \right) + \frac{4FaK_3}{Zw^2}$$

Maximum permissible distances:

Variation: 1 rail, 2 carriages

Variation: 2 rails, 4 carriages

$sy + sz$	<	$2 Lx - Y_0$
$ay + az$	<	$2 Lx - Y_0$
sy	<	$5 Zm$
sz	<	$5 Zm$

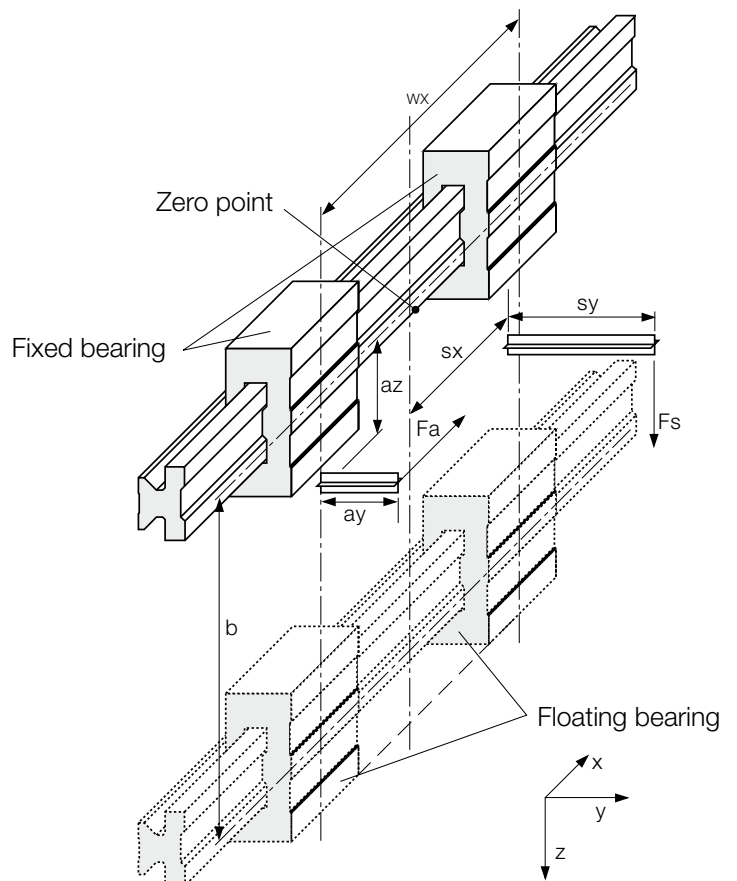


Maximum permissible distances:

Variation: 1 rail, 2 carriages

Variation: 2 rails, 4 carriages

$sy + sz$	<	$2 wx - Y_0$
$ay + az$	<	$2 wx - Y_0$

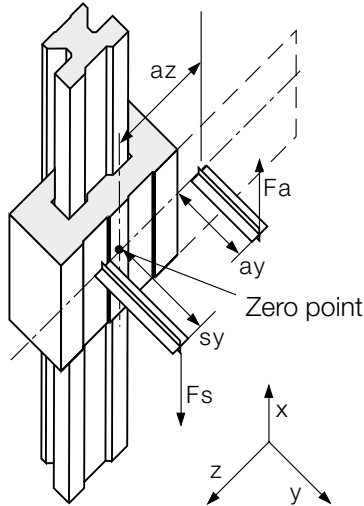


drylin® T | Mounting Version Vertical

Maximum permissible distances:

Variation: 1 rail, 1 carriage

$s_y + s_z$	<	$2 L_x - Y_0$
$a_y + a_z$	<	$2 L_x - Y_0$
s_y	<	$5 Z_m$
s_z	<	$5 Z_m$

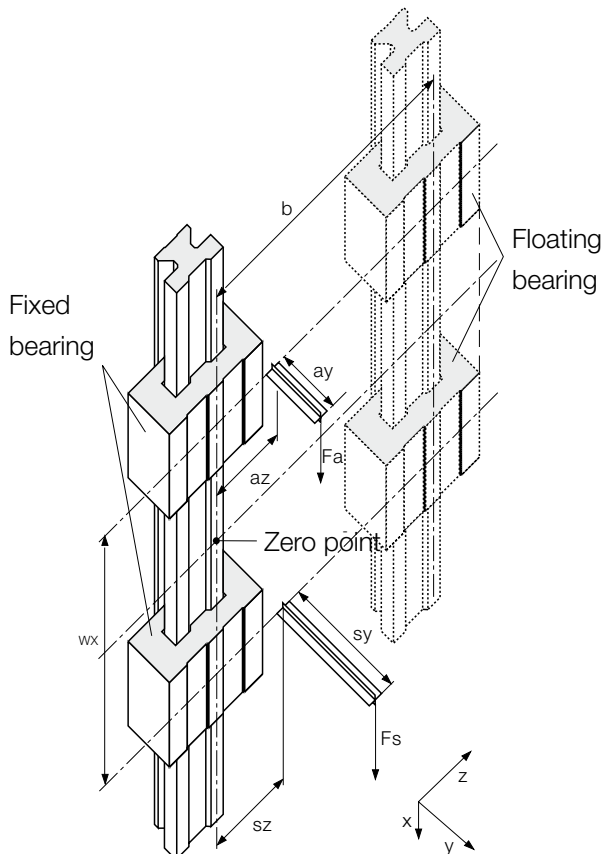


Maximum permissible distances:

Variation: 1 rail, 2 carriages

Variation: 2 rails, 4 carriages

$s_y + s_z$	<	$2 w_x - Y_0$
$a_y + a_z$	<	$2 w_x - Y_0$



2nd step:

Check to see whether the maximum distances of the applied forces are within the permissible values. (See maximum permissible distances)

3rd step:

Calculate the necessary drive force
First four calculations must be made:

$$F_{a_1} = \frac{2\mu(s_z + s_y + Y_0) - w_x}{2\mu(a_z + a_y + Y_0) - w_x} \cdot F_s$$

$$F_{a_2} = \frac{2\mu(-s_z + s_y + Y_0) - w_x}{2\mu(-a_z + a_y + Y_0) - w_x} \cdot F_s$$

$$F_{a_3} = \frac{2\mu(s_z - s_y - Y_0) - w_x}{2\mu(a_z - a_y - Y_0) - w_x} \cdot F_s$$

$$F_{a_4} = \frac{2\mu(s_z + s_y + Y_0) + w_x}{2\mu(a_z + a_y + Y_0) + w_x} \cdot F_s$$

The drive force F_a corresponds to the calculated maximum value:

$$F_a = \text{MAX}(F_{a_1}, F_{a_2}, F_{a_3}, F_{a_4})$$

4th step:

Calculate the maximum bearing load

4.1 Maximum bearing load in y-direction

$$F_{y_{\max}} = \left| F_a \frac{a_y + Y_0}{w_x} - F_s K_2 \right| \cdot \frac{2}{Z W^2}$$

4.2 Maximum bearing load in z-direction

$$F_{z_{\max}} = \left| F_a \frac{a_z}{w_x} - F_s K_5 \right| \cdot \frac{4}{Z W^2}$$