



Accessories for drylin® drive technology



Absolute freedom from lubricants

Cursor for reproducible settings

Hand wheels in many versions

Lead screw clamps

Angular drives for customized operating directions

drylin® Drive Technology | Accessories

An extensive list of accessories is available for many drylin® drive units to perform manual adjustments quickly and conveniently. When directly configuring the linear unit with the order, the units are shipped completely assembled. Any subsequent reconfiguration may result in the lead screw having to be exchanged because the lead screw ends may be too short.





Position Indicator

- Analog cursor for adjusting and direct read-out of the carriage position for the lead screw unit
 - All available reduction bushing are included in the product line
- ▶ page 1068



Lead screw Clamp

- For a clamping of the threaded lead screw
 - Provides a mechanical brake to the lead screw
 - Material: plastic housing with aluminum shaft clamp
- ▶ page 1069



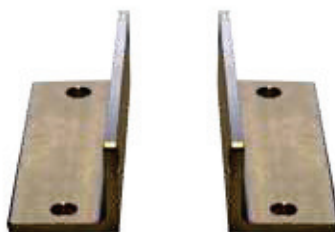
Hand Wheel

- Hand wheel: defined standard for complete systems
 - Different outer-diameters available
 - Different handles available
- ▶ page 1069



V-drive

- 360° s continuously adjustable
 - Fixing of setting angle with clamp
 - Small flange saves installation space
- ▶ page 1070



Angle kit

- Angle kit for series SHT
 - For 3-axis-systems XYZ
 - Material: Stainless Steel
 - 2 different sizes (12 and 20)
- ▶ page 1072

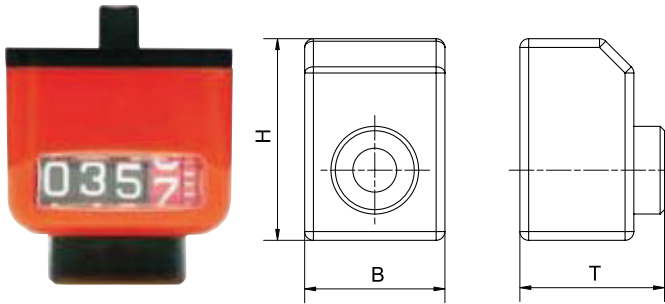


Flexshaft

- Optional offset operation of the drylin® linear modules
 - Operating elements can be positioned independently
 - Available in length 500 and 1,000 mm
 - Can be combined with other accessories,
- ▶ page 1073

Position indicator

To keep downtime to a minimum and make adjustments quickly and precisely, the cursor is used to create reproducible values. These can be shipped from stock for almost any linear unit in the matching pitch, in the desired counting and viewing direction and in a variety of colors.



- Plastic digital indicator for adjustment and direct reading of slide position
- 4-digit counter (red digit indicates tenths)
- Can be combined with hand clamps and hand wheels
- Reduction sleeves included



Order key

SHT-P3-A-2-DX-O



- Housing colour
O = Orange (Standard)
- Direction of rotation
DX = clockwise
SX = anti clockwise
- Pitch
- Display orientation
- Size
Standard

Installation possibilities



0 degrees 90 degrees 180 degrees 270 degrees

Display orientation



A*

* Standard

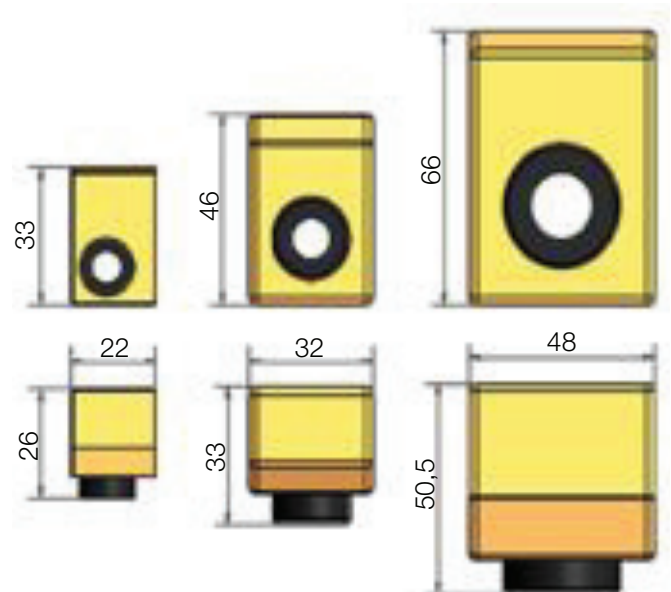
B (optional)

for vertical fitting position:
display turned 180

Dimensions [mm]

Pitch	for lead screw	Display after 1 rotation
1.25	M8 x 1.25	001.25
2	TR 10 x 2	002.0
3	TR 10 x 3; TR 12 x 3	003.0
4	TR 18 x 4; TR 14 x 4	004.0
5	TR 24 x 5	005.0
12	10 x 12	012.0
50	10 x 50	005.0
100	18 x 100	001.0

The pitch depends on the lead screw used.



P1

SLW-0630
SHTP-01-06

P3

all other
linear tables

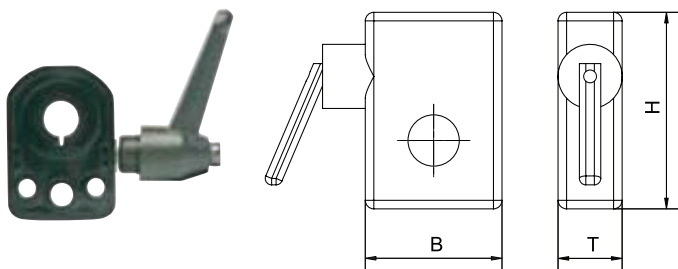
P6

SHTC-40
SHTC-50

drylin® Drive Technology | Accessories

Lead screw clamp

Linear modules with trapezoidal threads are equipped with a self locking mechanism. Many applications call for an additional clamping option as an additional safeguard against unintentional movement.



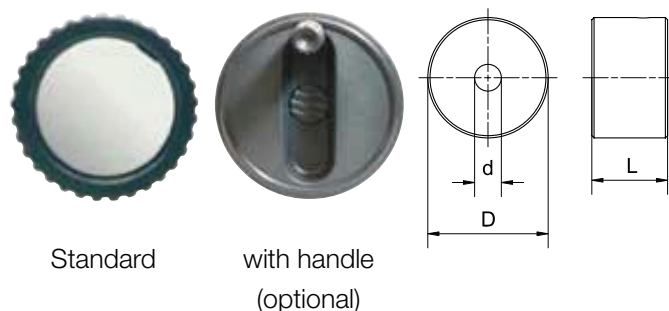
- Shaft clamping flange for attachment to the position indicator and subsequent mounting on the lead screw
- Provides a mechanical brake to the lead screw
- Material: plastic housing with aluminum shaft clamp
- Colour: black

Dimensions [mm]

Part number	SHT-HK-12	SHT-HK-16	SHT-HK-20	SHT-HK-30
Lead screw	TR10x2	TR14x4	TR18x4	TR24x5
Dimensions (B x H x T)	32 x 46 x 15	32 x 46 x 15	32 x 46 x 15	32 x 46 x 15

Hand wheel

We have an extensive selection of hand-wheels available to ship from stock for the most varied requirements. These range from small compact sizes up to ø 125 with/without grips, and in various configurations.

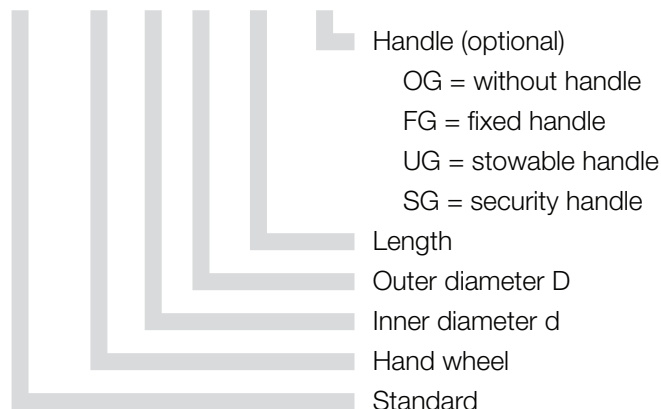


- Hand wheel: defined standard for complete systems
- Different handles available
- Different diameters available



Order key

SHT-HR-8-27-17-OG



Dimensions [mm]

d	D	L	OG	FG	UG	SG*
8	27	17	●	-	-	-
10	27	17	●	-	-	-
12	42	23	●	-	-	-
14	42	23	●	-	-	-
6	50	52	-	●	-	-
8	80	75	-	●	●	●

d	D	L	OG	FG	UG	SG*
10	80	75	-	●	●	●
12	80	75	-	●	●	●
12	125	109	-	●	●	●
14	125	109	-	●	●	●
18	125	109	-	●	●	●

* The automatic panning will return on release..

V-drive

In addition to safety technology aspects, limited operating space requires drylin® drives to be operated with flexibility and ease. We provide a product line of continuously adjustable angular drives for adjustment options from a defined direction. For manual adjustments, the angular drives can also be configured with cursor, clamp and hand-wheel, and are shipped pre-assembled. Angular drives with keyed/grooved shafts are available for motor interfaces with increased torque transfers.

V-drives WT-3



Angular drive with hand-wheel, cursor and lead screw clamp (optional)

- Flexible adjusting to your installation scenario with continuously variable adjustment (can be oscillated 360°)
- Motor or manual operation
- Max. torque 3 Nm
- Clamping using set screw
- Ø 12 mm h7 output shaft
- Compatible with drylin® linear modules SHT/SHTC (installation sizes 12 and 20) and SLW-1040, - 1660 and - 2080
- SHT-30 on request
- Position indicator, lead screw clamp, hand wheel available

► page 1068



Order key

WT-3100



Ready for use with drylin® linear slide table::

0: SHT/SHTC-12

1: SHT/SHTC-20

5: SLW-1040/-1080

6: SLW-1660

7: SLW-2080

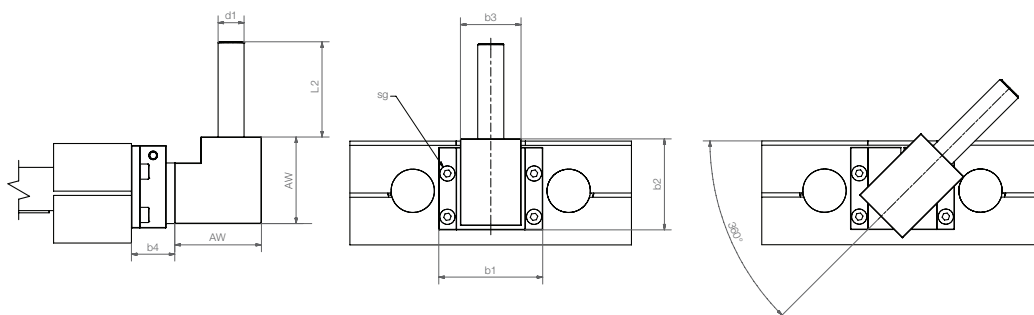
Type of angular drive

1: WT1

3: WT3

4: WT4

V-drive



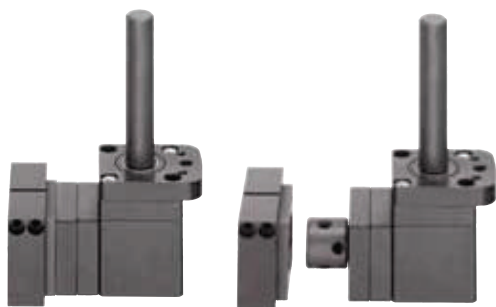
Dimensions [mm]

Part number	l	AW	b1	b2	b3	b4	L2	d1	sg
WT-3000 3100 3500	1:1	40	48	42	28	20	26	12	M4
WT-3600 3700	1:1	40	48	42	28	30	26	12	M4

 **delivery time** 8-14 days

drylin® Drive Technology | Accessories

Heavy Duty V-drive WT-4



drylin® angular drives provide for a maximum of positioning flexibility. The form fitting connection can attain a maximum torque of up to 6 Nm.

- Flexible adjusting to your installation scenario with continuously variable adjustment (can be oscillated 360°)
 - Motor or manual operations
 - Max. torque 6 Nm through coupling
 - Fixation over feather key groove
 - Base shaft Ø14 mm h7 with size
 - Compatible with drylin® SHT/SHTC/SLW (installation sizes 16, 20 and 30)
 - Position indicator, lead screw clamp, hand wheel available
- page 1068

Dimensions [mm]

Part number	l	AW	b1	b2	b3	b4	L2	d1	sg
WT-4000 4100 4200 4700	1:1	60	52	51	48	23	26	14	M4
WT-4600	1:1	60	52	51	48	33	26	14	M4

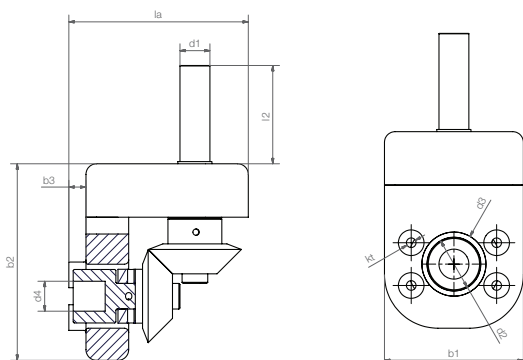
Hygienic-Design-angular drive WT-1



angular drive with hand wheel
(optional)

Following the idea of “Hygienic Design” the V-drive is available as maintenance-free and washable stainless steel/ polymer system.

- Lubrication-free
- Max. torque 3 Nm
- Single parts made of stainless steel
- Easy to clean with water
- Compatible with drylin® SHTC-20-EWM-HYD ► page 1031
- Position indicator, lead screw clamp, hand wheel available ► page 1068

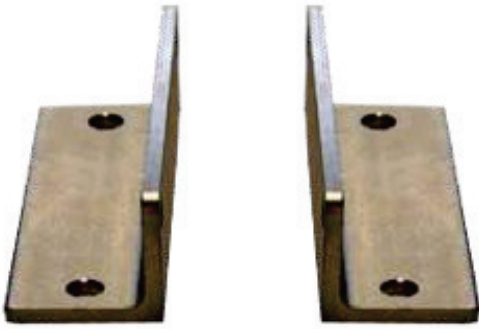


Dimension [mm]

Part number	l	kt	b1	b2	b3	d4	l2	d1	d2	d3	sg
WT-1100	1:1	45	65	92	8	8	26	14	25	30	14

 **delivery time** from stock

Stainless steel angle kit for linear modules, XZ-axis



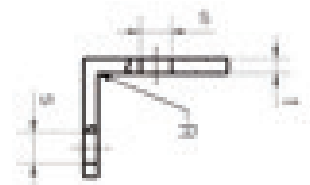
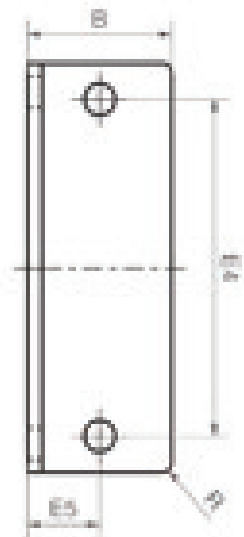
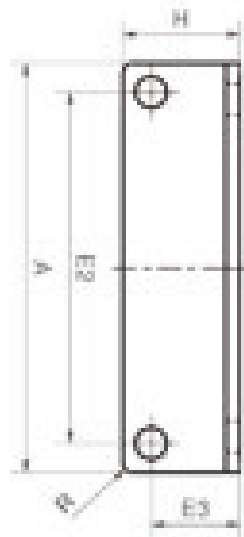
Order key

SHT-WS-12



drylin® SHT-WS is the new angle kit for the SHT linear sliding tables range. Stainless steel angle brackets for the dimensions 12 and 20 make any combination possible.

- Two different sizes
- Can be combined with all drylin® linear slide tables SHT/SHTC/SHTS in the dimensions 12 and 20



Dimensions [mm]

Part number.	A	H	B	E2	E3	E4	E5	s	t
SHT-WS-12	85	26.5	30	73	20.5	70	15	6.5	3
SHT-WS-20	130	36	35	108	18	115	35	8.5	5

 **delivery time** 2-3 days

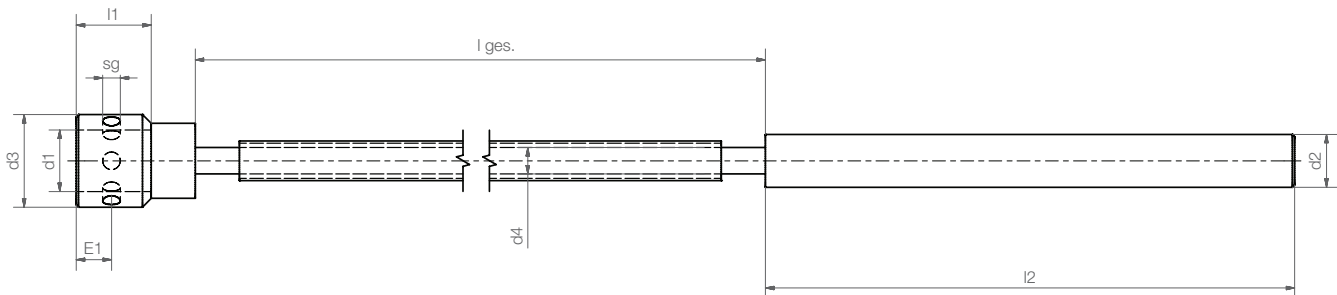
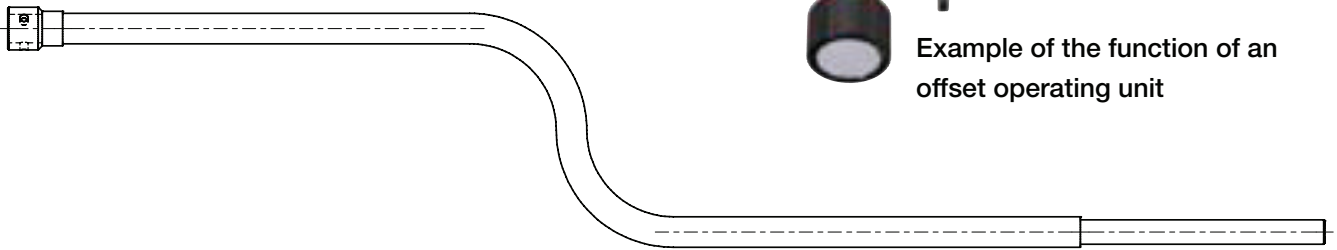
Flexshaft

The ideal complement to drylin® linear modules. The flexshaft enables the positioning of the hand wheel independent of the installation position of the linear unit. Distance of 500 mm and offset by 85°? No problem!

- 2 lengths (500 + 1,000 mm)
- For all journal diameters (10, 12, 14 mm)
- Flexible installation
- Space saving
- Can be combined with a bearing block ► [page 980](#)
- Position indicator, lead screw clamp, hand wheel available
► [page 1068](#)



Example of the function of an offset operating unit



Dimensions [mm]

Part number	d1	d2	d3	d4	sg	E1	l1	l ges.	T max	min. bending radius
									[Nm]	
FS-06-500-Z12X120-AA	14H7	12h7	21	6	M4	8	17	500	1.8	70
FS-08-1000-Z12X120-AA	14H7	12h7	21	8	M4	8	17	1,000	2.7	90



delivery 2-3 days
time