

SHTP Mini – Small and low-cost – Solid plastic

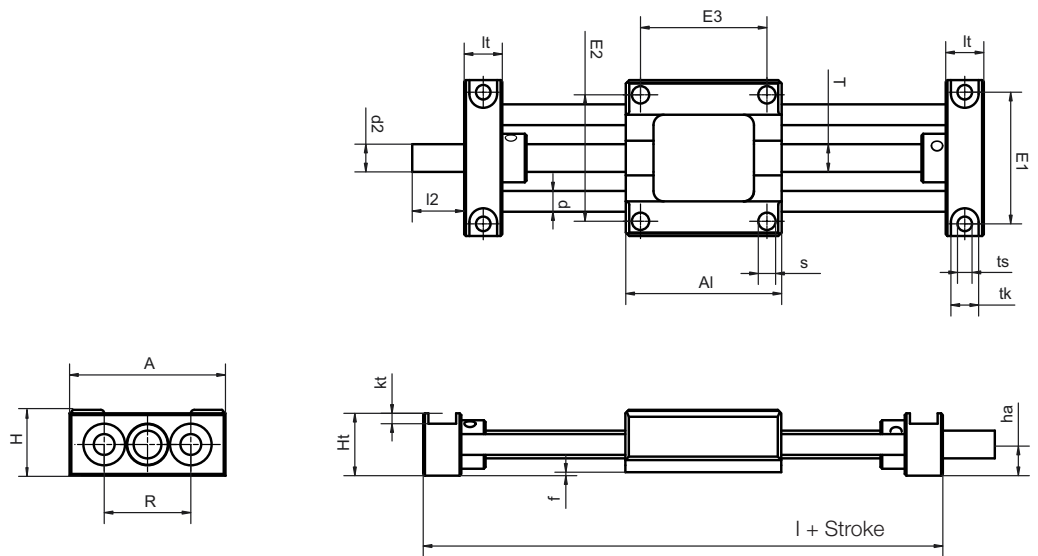


- Miniature version
 - Very low weight
 - Very low price
 - Corrosion resistant
 - Carriages and shaft end supports made of high-performance polymers
 - Available accessories
- page 922



Order key
complete ► page 897

SHTP-01-06-AWM



Technical Data

Part number	Max. length of stroke [mm]	Aluminum shaft		Max. static load-bearing capacity		More information
		Weight [kg]	Additional [kg] (per 100 mm)	axial [N]	radial [N]	
SHTP-01-06-AWM	300	0.11	0,06	50	200	Carriage, square, with four symmetrical mounting bores

Dimensions [mm]

Part number	A	Al	H	Ht	E1	E2	E3	I	R	f	lt	tk	ts
SHTP-01-06-AWM	45	45	19	18	38	36.5	36.5	67	25	1	11	8	42

Part number	s	sg	d	T	l2	d2*	ha
SHTP-01-06-AWM	5.1	–	6	M8	15	M8 Standard	9

* Standard versions supplied with leadscrew end unmachined

delivery 2–3 days
time ► page 895

prices price list online
www.igus.eu/eu/DryLinSHT

order part number
example SHTP-01-06-AWM