

## SHT-HTX – High temperature up to +180°C

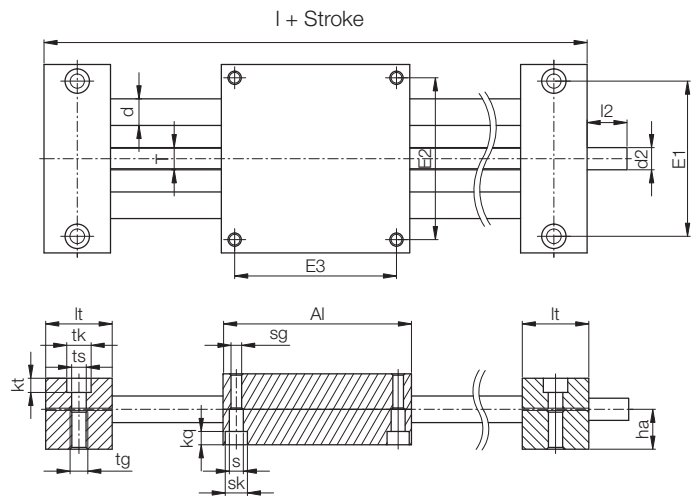
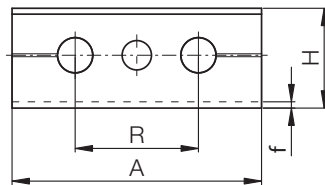


- Shaft and leadscrew made of stainless steel, shaft material iglidur® X
- Carriages and shaft ends made of anodized aluminum
- Absolutely lubrication-free
- available as SHT – Standard; SHTC – Flexible, ideal for two carriages; SHT-XY – the XY-table
- Available accessories  
▶ page 922



**Order key**  
complete ▶ page 897

### SHT-20-EWM-HTX



## Technical Data

Part number	Max. length of stroke [mm]	Aluminum shaft		Steel shaft		Max. static load-bearing capacity	
		Weight [kg]	Additional (per 100 mm) [kg]	Weight [kg]	Additional (per 100 mm) [kg]	axial [N]	radial [N]
SHT-12-EWM-HTX	750	1.1	0.1	1.3	0.2	700	2,800
SHT-20-EWM-HTX	1,000	3.2	0.3	3.9	0.6	1,600	6,400

## Dimensions [mm]

Part number	A	Al	H	E1	E2	E3	I	R	f	lt	tk	ts
	-0.3	-0.3		±0.15	±0.15	±0.15				±0.1		
SHT-12-EWM-HTX	85	85	34	70	73	73	145	42	2	30	11	6.6
SHT-20-EWM-HTX	130	130	48	108	115	115	202	72	2	36	15	9.0

Part number	tg	kt	s	sk	sg	kq	d	T	l2	d2	ha
		±0.1								Standard	
SHT-12-EWM-HTX	M8	6.4	6.3	10	M6	6.0	12	TR 10 x 2	17	TR 10 x 2*	18
SHT-20-EWM-HTX	M10	8.6	6.4	11	M8	7.0	20	TR 18 x 4	26	12 h9	23

\* TR 10x2 with leadscrew end unmachined

