

SHTS – Standard with leadscrew

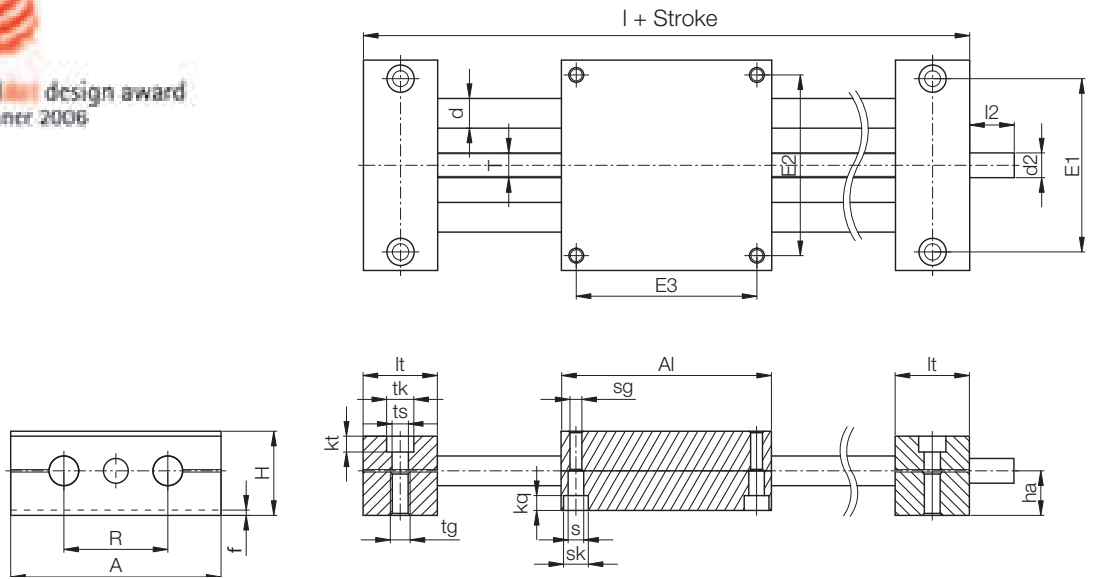


- Lead 10 x 12, 10 x 50, 18 x 100
 - High helix leadscrew
 - High-speed solution
 - Maintenance-free, dry-running
 - Available accessories
- page 922



Order key
complete ► page 897

SHTS-12-AWM



Technical Data

Part number	Max. length of stroke	Aluminum shaft		Max. static load-bearing capacity	
		Weight [kg]	Additional (per 100 mm) [kg]	axial [N]	radial [N]
SHTS-12-AWM	750	0.7	0.1	100	400
SHTS-20-AWM	1,000	1.9	0.3	400	1,600

Dimensions [mm]

Part number	A	Al	H	Ht	E1	E2	E3	I	R	f	lt	tk	ts
					±0.15	±0.15	±0.15				±0.1		
SHTS-12-AWM	85	85	34	70	73	73	73	145	42	2	30	11	6.6
SHTS-20-AWM	130	130	48	108	115	115	202	72	2	36	15	9.0	M10

Part number	tg	kt	s	sk	sg	kq	d	T	l2	d2	ha
		±0.1								Standard	
SHTS-12-AWM	M8	6.4	6.3	10	M6	6.0	12	10 x 50**	17	TR 10 x 50*	18
SHTS-20-AWM	M10	8.6	6.4	11	M8	7.0	20	18 x 100	26	12 h9	23

* TR 10x50 leadscrew end unmachined; ** alternatively as 10x12 on request

