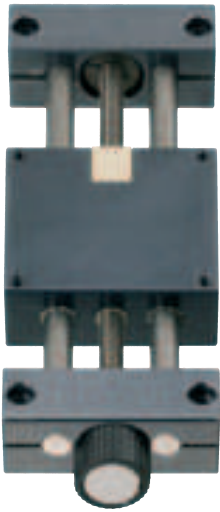


## SHT – Standard

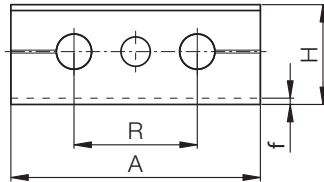
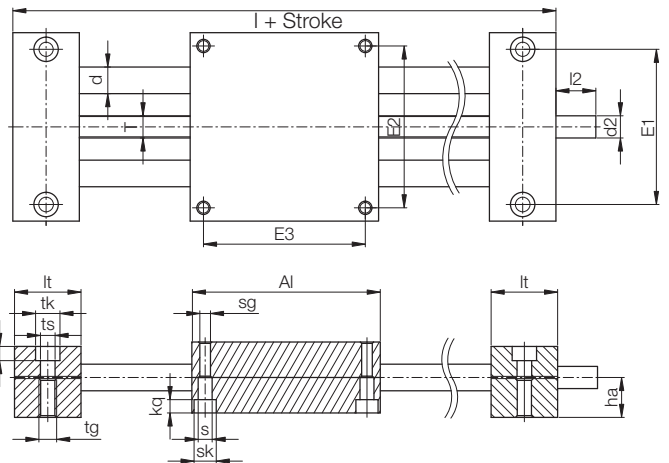
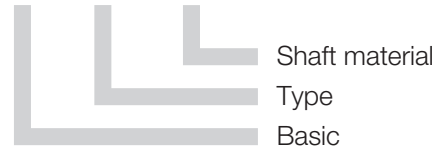


- Solid design
- Three different installation sizes
- Various materials for shaft and leadscrew
- Maintenance-free and corrosion-resistant
- TR 10 x 2, TR 18 x 4, TR 24 x 5
- Temperature-resistant up to +80 °C
- Available accessories  
▶ page 922



**Order key**  
complete ▶ page 897

## SHT-12-AWM



## Technical Data

Part number	Max. length of stroke [mm]	Aluminum shaft		Steel shaft		Max. static load-bearing capacity	
		Weight [kg]	Additional (per 100 mm) [kg]	Weight [kg]	Additional (per 100 mm) [kg]	axial [N]	radial [N]
SHT-12-AWM	750	1.1	0.1	1.3	0.2	700	2,800
SHT-20-AWM	1,000	3.2	0.3	3.9	0.6	1,600	6,400
SHT-30-AWM	1,250	8.6	0.6	10.9	1.4	2,500	10,000

## Dimensions [mm]

Part number	A	Al	H	E1	E2	E3	I	R	f	lt	tk	ts
	-0.3	-0.3		±0.15	±0.15	±0.15				±0.1		
SHT-12-AWM	85	85	34	70	73	73	145	42	2	30	11	6.6
SHT-20-AWM	130	130	48	108	115	115	202	72	2	36	15	9.0
SHT-30-AWM	180	189	68	150	158	158	280	96	4	50	20	13.5

Part number	tg	kt	s	sk	sg	kq	d	T	l2	d2	ha
		±0.1								Standard	
SHT-12-AWM	M8	6.4	6.3	10	M6	6.0	12	TR 10 x 2	17	TR 10 x 2*	18
SHT-20-AWM	M10	8.6	6.4	11	M8	7.0	20	TR 18 x 4	26	12 h9	23
SHT-30-AWM	M16	12.6	11.0	18	M12	10.6	30	TR 24 x 5	38	14 h9	36

\* TR 10 x 2 leadscrew end unmachined

**delivery** 2–3 days  
**time** ▶ page 895

**prices** price list online  
[www.igus.eu/eu/DryLinSHT](http://www.igus.eu/eu/DryLinSHT)

**order** part number  
**example** SHT-12-AWM